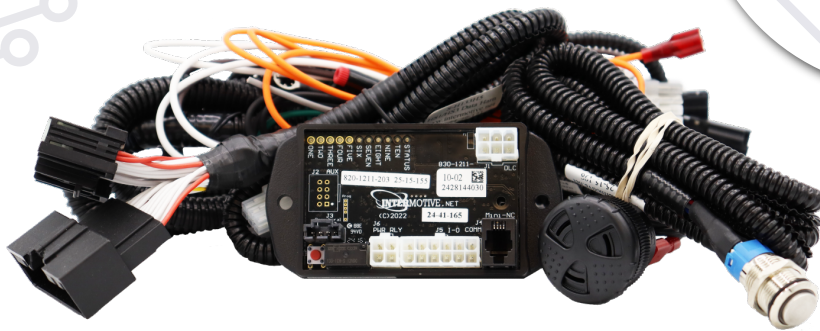


EcoLock™

Vehicle Secured Idle Reduction System



Overview

- Automatically turns the engine off and on when specific conditions are met and the key is out of the ignition*
- Aids in preventing vehicle theft by allowing the user to exit the vehicle with the key and lock the doors while EcoLock operates
- Configurable to custom conditions
- Helps meet anti-idling regulations
- Simple plug and play connections

** Ford vehicles with PATS (Passive Anti Theft Systems) may need to install a security bypass system for key-out operation to function. See instructions for details.*

Features

- **FUEL SAVINGS:** Cuts idling fuel consumption nearly in half; pays for itself in a short period of time
- **ECO-FRIENDLY:** Reduces carbon dioxide emissions and saves 19 lbs per gallon burned while idling
- Thermostat regulation option available to keep interior temperature comfortable for personnel or temperature-sensitive equipment
- For law enforcement vehicles, the weapons rack and trunk release are disabled
- Includes Intermittent Fault Filter™ (IFF) technology to eliminate false readings
- Does not alter OEM powertrain calibrations

Proudly distributed by

LGS GROUP
AUTOMOTIVE TECHNOLOGIES

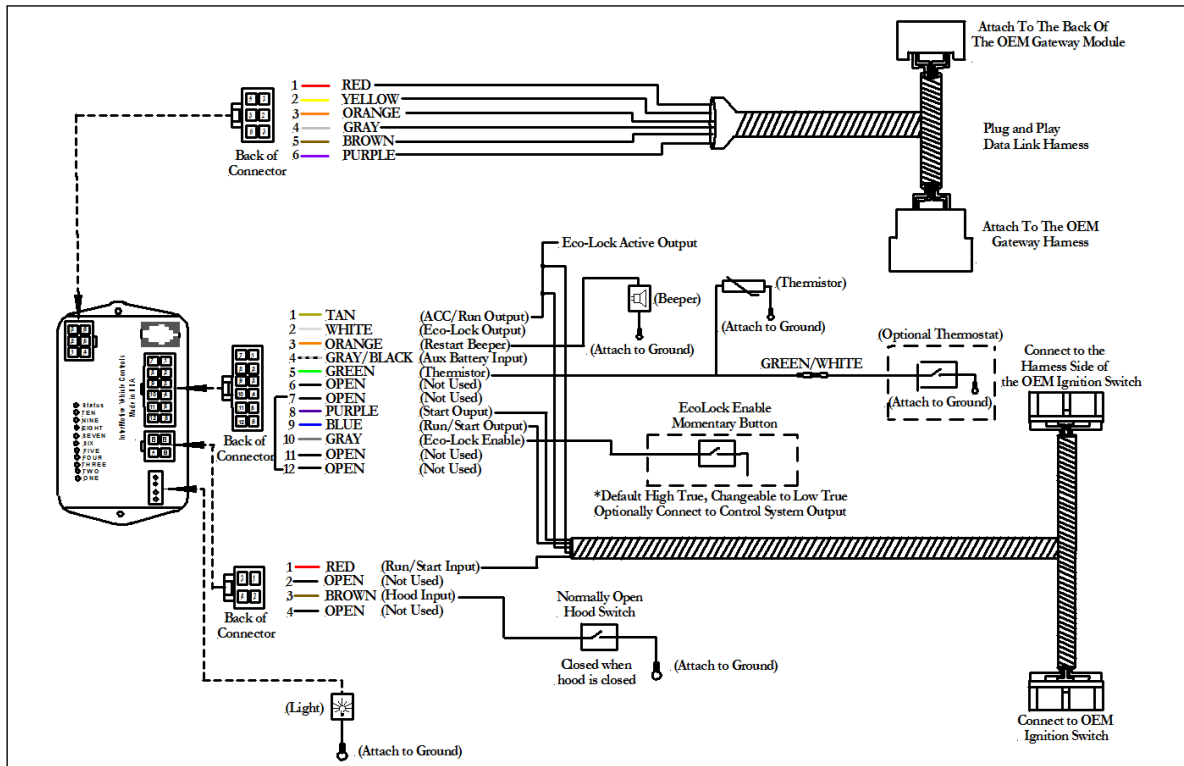
775-831-2002 | www.InterMotive.net



Watch EcoLock
in action

Specifications

EXAMPLE SCHEMATIC



SPECIFICATIONS

Number of Inputs	Three active low inputs, one analog input
Number of Outputs	Two active high outputs
Current Draw	60 - 120 mA
Quiescent Draw	< 2 mA (sleep current)
CAN Speed	High and medium speed
Temperature Range	-40°C to 80°C
Dimensions	4" L x 2" W x 1" H

Proudly distributed by

775-831-2002 | www.InterMotive.net