

**IdleLock**

**INTERMOTIVE**  
**VEHICLE**  
**CONTROLS**

An ISO 9001:2015 Registered Company

# IdleLock™

Secured Idling with Key Removed

## Overview

- Theft prevention system allows the vehicle to idle with the transmission locked in Park
- Key ignition works with column shifters; system activated with enable button and key removed from the ignition
- Push start ignition works with either column or rotary shifters; uses key fob location to activate system via AutoSense™ Technology
- Simple plug and play connections

## Features

- **SAFE:** Walk away from your idling vehicle with confidence that everything is safely locked
- **FULL FUNCTIONALITY:** All lights, equipment and HVAC still fully functional while engaged
- **SECURE:** The engine shuts off if an attempt is made to shift out of Park without the key in the ignition or fob in the driver's seat
- Provides a shift lock that can be used as an interlock for the rear door, or to secure the trunk or weapons rack for law enforcement vehicles
- Optional Engine Off feature: shuts off the engine if the service brake is pressed without the fob detected (available on select chassis)
- Includes Intermittent Fault Filter™ (IFF) technology to eliminate false readings



Ignition switch "T" harness shown

*FCA vehicles may require an FCA remote start antenna.*

*Product features may vary by make, model or year. See instructions for complete details.*

Proudly distributed by

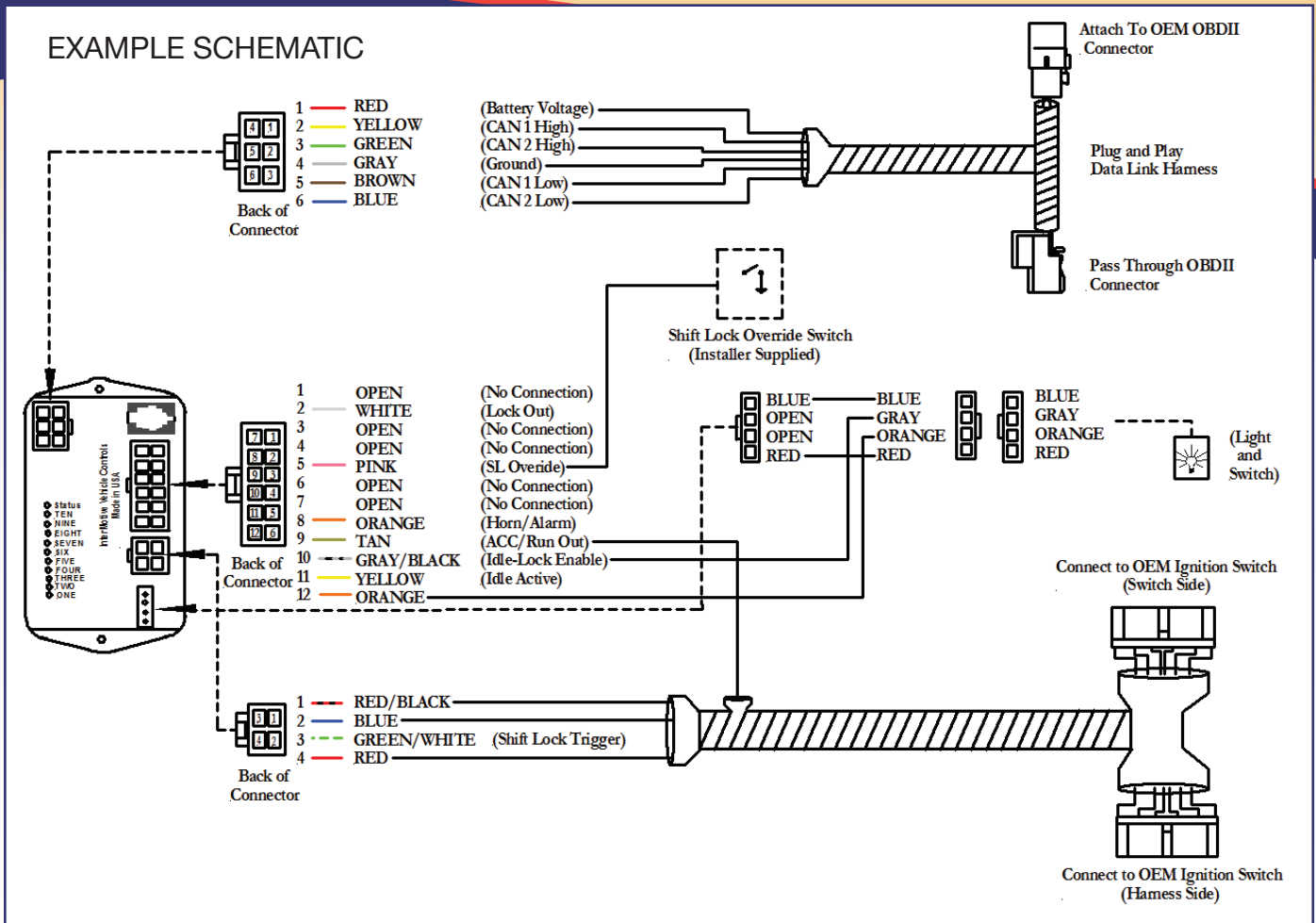
**LGS GROUP**  
AUTOMOTIVE TECHNOLOGIES

**(775) 831-2002**

# Details



Watch  
IdleLock  
in action



## SPECIFICATIONS

Number of Inputs Three active inputs (one high, two low)

Number of Outputs Three active outputs (two high, one low)

Current Draw 120 mA

Quiescent Draw < 2 mA (sleep current)

Temperature Range -40°C to 80°C

Dimensions 3" L x 2" W x 1" H