

IdleGuard

INTERMOTIVE
VEHICLE
CONTROLS

An ISO 9001:2015 Registered Company

IdleGuard™

with AutoSense™ Technology

Automatically Enables/Disables Secure Park

Overview

- Automatically enables and disables the Dodge Charger Pursuit Secure Park feature (which prevents the transmission from shifting out of Park while idling) based on the key fob's proximity to the vehicle
- Simple plug and play connections
- Installs in minutes; no cutting of factory wires

Features

- IdleGuard™ with AutoSense™ Technology activates Secure Park through the removal of the key fob from the vehicle; deactivates when the fob returns to the vehicle
- Provides vehicle security while eliminating an extra step for officers to remember and execute
- Designed specifically for the Dodge Charger Pursuit; available for 2016-current model year
- Includes Intermittent Fault Filter™ (IFF) technology to eliminate false readings

See instructions for complete details.



Proudly distributed by
LGS GROUP
AUTOMOTIVE TECHNOLOGIES

(775) 831-2002



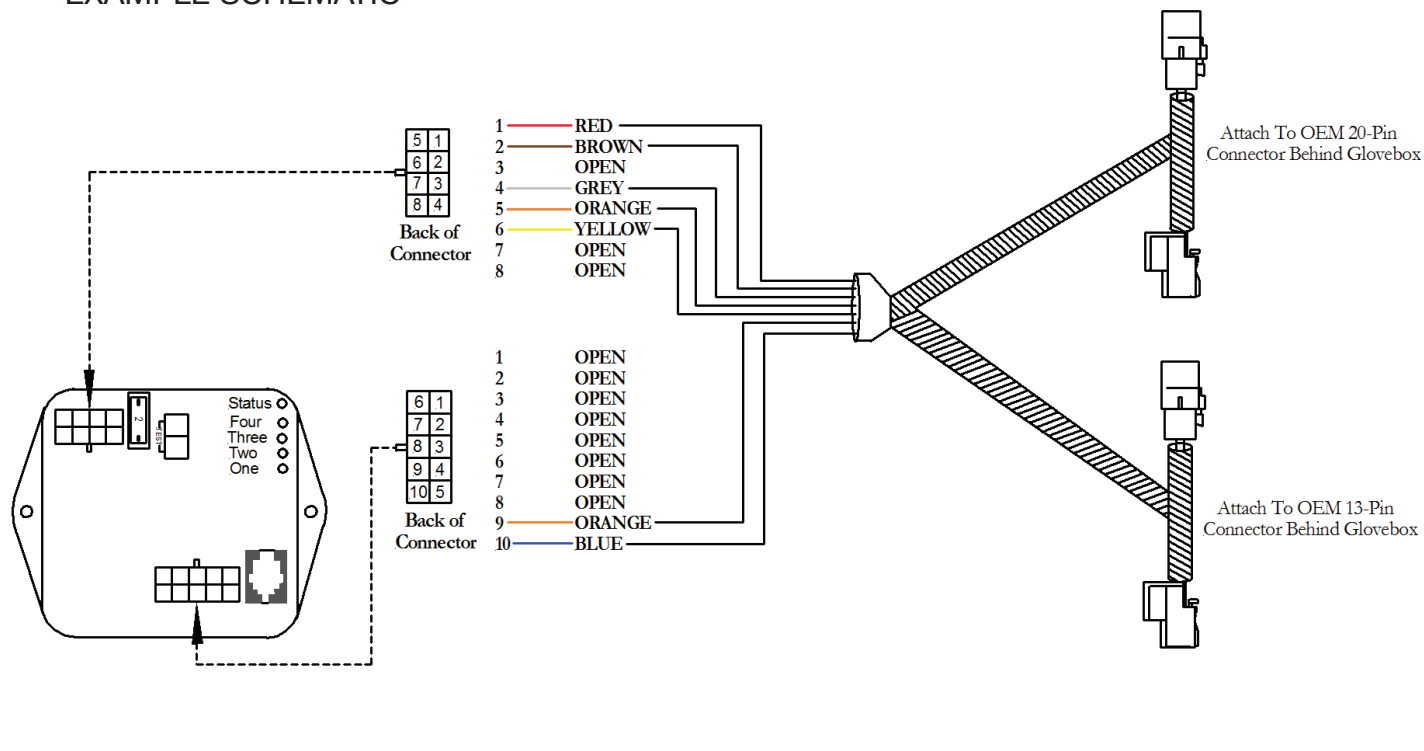
Watch
IdleGuard
in action

Details



Watch an IdleGuard install

EXAMPLE SCHEMATIC



SPECIFICATIONS

Number of Inputs	None
Number of Outputs	One Secure Park output (+12 volt rated at 2 amps)
Current Draw	~ 100 mA
Quiescent Draw	~ 2 mA (sleep current)
CAN Speed	High speed
Temperature Range	-40°C to 80°C
Dimensions	3" L x 2" W x 1" H