

Upfitter Interface Module

INTERMOTIVE
VEHICLE
CONTROLS

An ISO 9001:2015 Registered Company

Upfitter Interface Module[®]

Programmable CAN Data Access System

Overview

- Passive CAN data acquisition used to activate or control equipment in customized ways
- Eight digital outputs can be programmed as momentary, latching, time-hold, time-delay or flashing
- Outputs are controlled based on the module's configuration, created using boolean logic with InterMotive's Programming Utility software
- Simple plug and play connections

Features

- FLEXIBLE DESIGN: Saves time, cost and additional components; graphical user interface (GUI) makes programming output functions as easy as clicking a button
- CONTROL: Multiple inputs can control a single output
- Provides one high true output, seven low true outputs and two low true inputs
- Works with FCA, Ford and GM CAN, plus J1939 to provide real-time chassis data
- Warning LEDs offer easy troubleshooting
- Includes Intermittent Fault Filter™ (IFF) technology to eliminate false readings

Proudly distributed by

LGS GROUP
AUTOMOTIVE TECHNOLOGIES

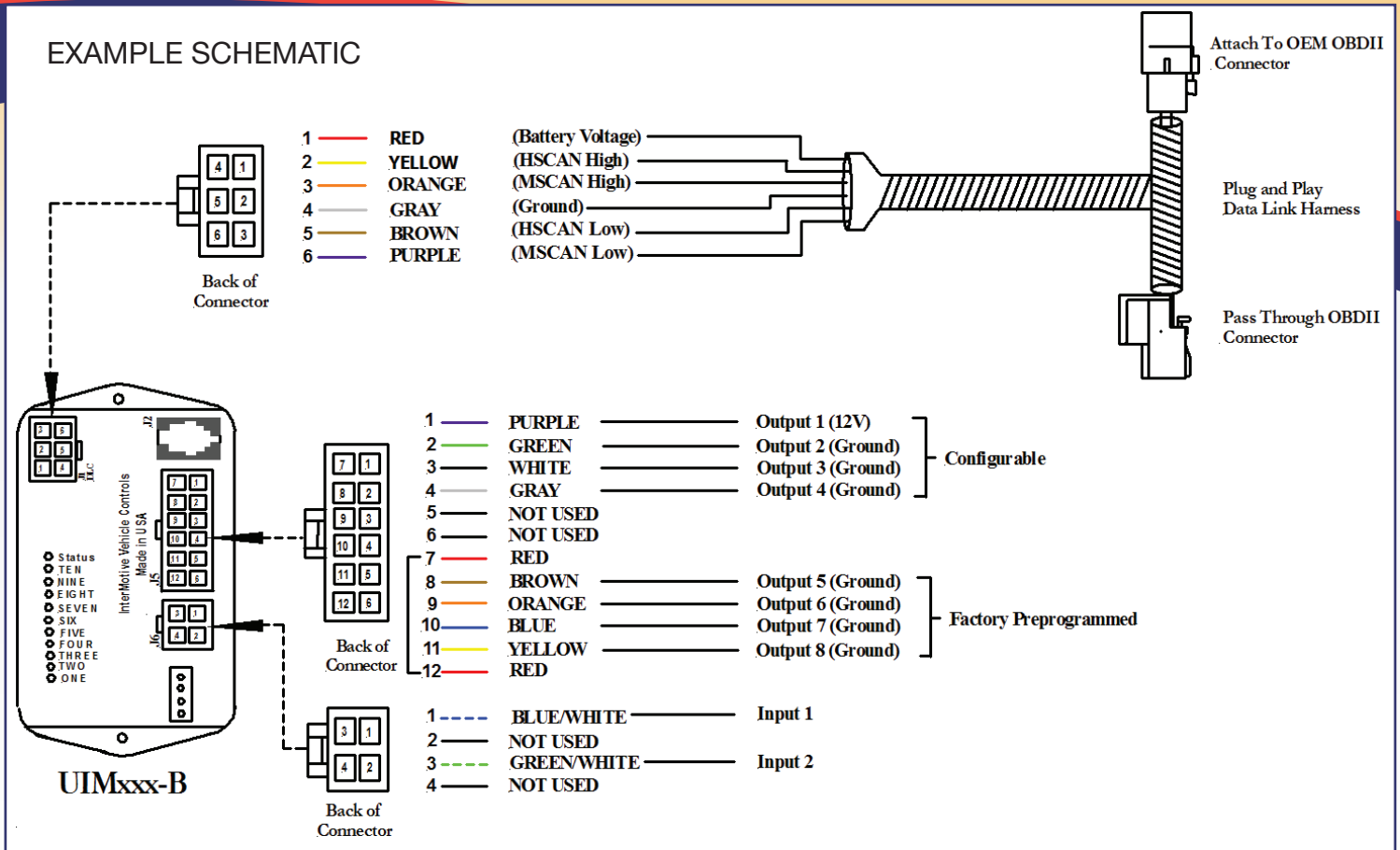
(775) 831-2002

Details

Product features may vary by make, model or year. See instructions for complete details.



Watch UIM in action



SPECIFICATIONS

Number of Inputs	Two active low inputs
Number of Outputs	Eight, with one active high
Current Draw	150 mA
Quiescent Draw	< 2 mA (sleep current)
CAN Speed	High and medium speed
Temperature Range	-40°C to 80°C
Dimensions	4" L x 2" W x 1" H

AVAILABLE DATA INCLUDES: (partial list)

- **Transmission:** Range | Fluid Temperature
- **Lights:** External Lights* | High and Low Beams | Turn Signals
- **Doors:** Lock | Unlock | Door Ajar
- **Brakes:** ABS Event | Park Brake | Service Brakes
- **Other:** Vehicle Speed | Seatbelt
- **Engine/Fuel:** Clean Tach Output | Check Engine Light (MIL)** | Coolant and Oil Temp.† | RPM | Engine Running | Ignition Switch Status | Fuel Level | Intake Air Temp. | Throttle Position | Vbat | VSS (2.2 Hz/mph)

* Daytime running lights only work with Ford vehicles

** Check Engine Light Output does not work with RAM vehicles

† Oil Temperature only works with Ford vehicles