

**Idle Timer
Controller**

INTERMOTIVE
**VEHICLE
CONTROLS**

An ISO 9001:2015 Registered Company

Idle Timer Controller

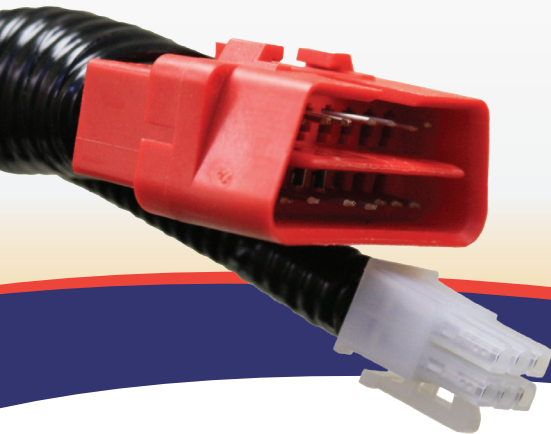
Idling Engine Shutdown System

Overview

- Programmable automatic engine shutdown after a set period of time in Park
- Easy to override if equipment is in use
- Simple plug and play connections
- ECO-FRIENDLY: Helps meet state and local anti-idling laws

Features

- **FUEL SAVINGS:** Automatically turns the engine off after 5 to 15 minutes (timer can be modified)
- Microprocessor performs diagnostic tests every time the system is used
- Shutdown warning buzzer/light output
- Override high and low inputs to prevent engine shutdown
- Optional override keyed switch
- Includes Intermittent Fault Filter™ (IFF) technology to eliminate false readings



Watch
ITC in
action

Proudly distributed by

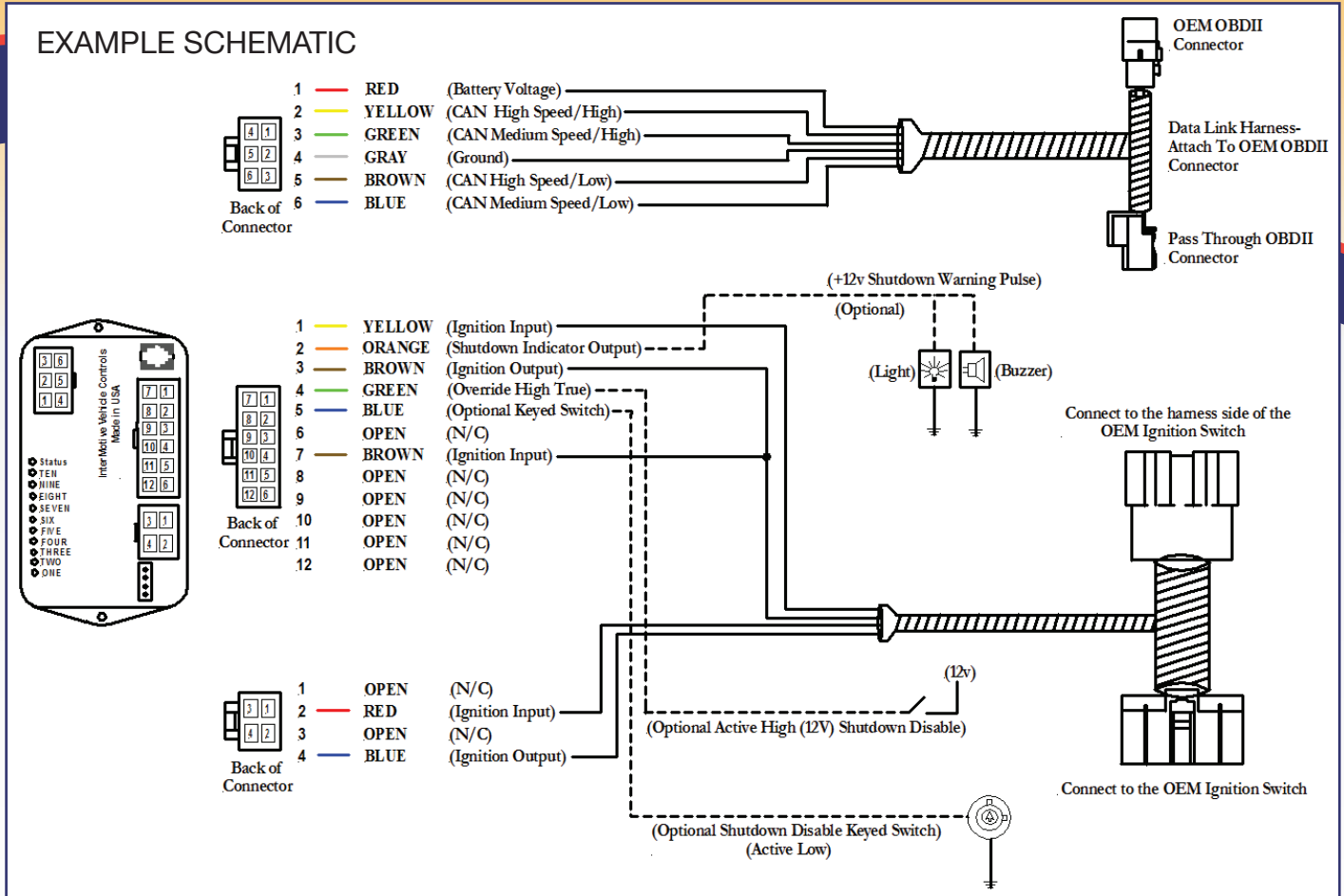
LGS GROUP
AUTOMOTIVE TECHNOLOGIES

(775) 831-2002

Details

Product features may vary by make, model or year. See instructions for complete details.

EXAMPLE SCHEMATIC



SPECIFICATIONS

Number of Inputs	One active low override input, one active high override input
Number of Outputs	One active high shutdown indicator output
Current Draw	60 mA
Quiescent Draw	2 mA (sleep current)
CAN Speed	High and medium speed
Temperature Range	-40°C to 80°C
Dimensions	4" L x 2" W x 1" H