

EcoStar

INTERMOTIVE
VEHICLE
CONTROLS

An ISO 9001:2015 Registered Company

EcoStar™

Idle Reduction System

Overview

- Automatically turns the engine off and on when specific conditions are met to prevent continuous idling
- Configurable to custom conditions
- Helps meet anti-idling regulations
- Simple plug and play connections

Features

- **FUEL SAVINGS:** Cuts idling fuel consumption nearly in half; pays for itself in a short period of time
- **ECO-FRIENDLY:** Reduces carbon dioxide emissions and saves 19 lbs per gallon burned while idling
- System leaves battery power on to operate lights, radio and auxiliary equipment
- Thermostat regulation option available to keep interior temperature comfortable for personnel or temperature-sensitive equipment
- Includes Intermittent Fault Filter™ (IFF) technology to eliminate false readings



Ignition switch "T" harness shown

Product features may vary by make, model or year. See instructions for complete details.

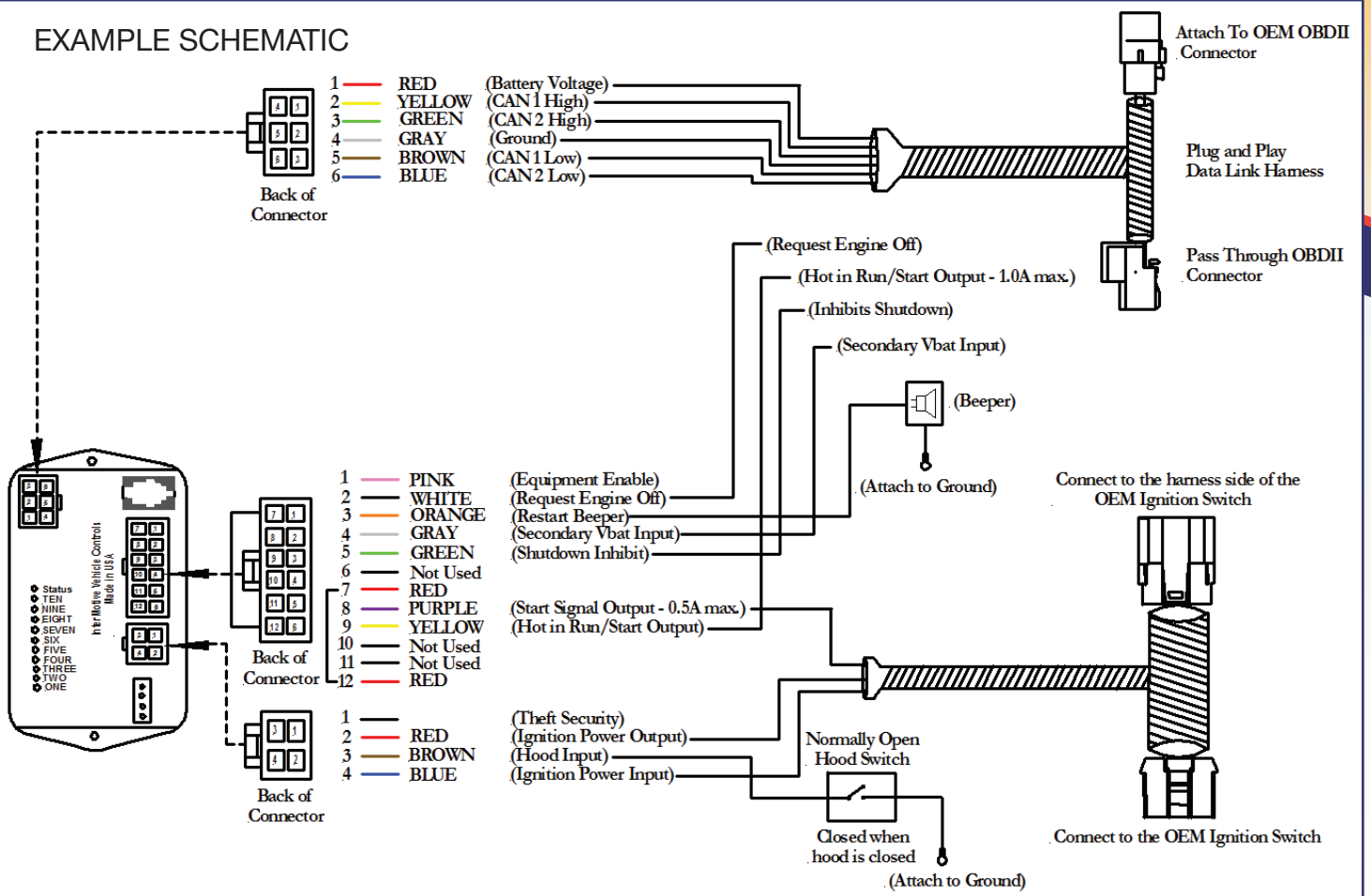
Proudly distributed by

LGS GROUP
AUTOMOTIVE TECHNOLOGIES

(775) 831-2002

Details

EXAMPLE SCHEMATIC



SPECIFICATIONS

Number of Inputs Four active low inputs, one analog input

Number of Outputs Two active high outputs

Current Draw 60-120 mA

Quiescent Draw < 2 mA (sleep current)

CAN Speed High speed and medium speed

Temperature Range -40°C to 80°C

Dimensions 4" L x 2" W x 1" H