

**Work Truck Shift  
Interlock**

**INTERMOTIVE**

**VEHICLE  
CONTROLS**

*An ISO 9001:2015 Registered Company*

# Work Truck Shift Interlock

Automatic Shift Interlock System

## Overview

- Fully automatic system prevents the vehicle from shifting out of Park if equipment is not in a secure position
- Compact unit is easy to install
- Simple plug and play connections to the OEM chassis

## Features

- **IMPROVES SAFETY:** Reduces the potential for personal injury or equipment damage that could occur if the vehicle is driven with equipment not properly stowed
- While operating any lift equipment, the interlock engages the OEM shift lock to stay in Park until equipment has been secured
- CPU performs self-diagnosis every time the vehicle is started
- Includes Intermittent Fault Filter<sup>®</sup> technology to eliminate false readings

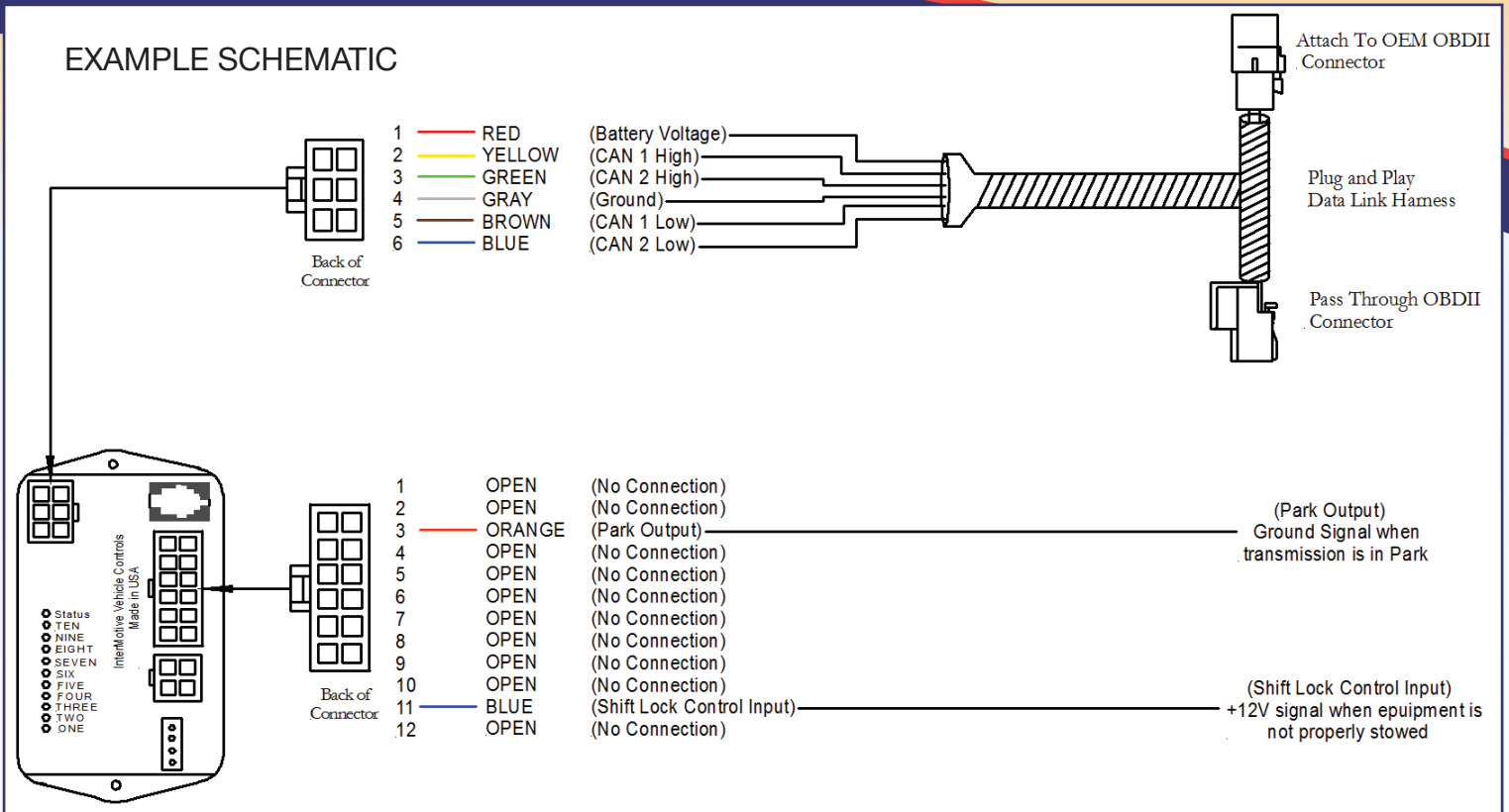
*Product features may vary by make, model or year. See instructions for complete details.*

Proudly distributed by

**LGS GROUP**  
AUTOMOTIVE TECHNOLOGIES

**(775) 831-2002**

# Details



## SPECIFICATIONS

|                   |  |
|-------------------|--|
| Number of Inputs  | One  |
| Number of Outputs | One (ground signal when transmission is in Park) |
| Current Draw      | ~ 60 mA  |
| Quiescent Draw    | ~ 1.2 mA (sleep current)                         |
| CAN Speed         | High and medium speed                            |
| Temperature Range | -40°C to 80°C                                    |
| Dimensions        | 4" L x 2" W x 1" H                               |