

## Upfitter Interface Module

**INTERMOTIVE**  
VEHICLE  
CONTROLS

An ISO 9001:2015 Registered Company

# Upfitter Interface Module<sup>®</sup>

Programmable CAN Data Access System

## Overview

- Passive CAN data acquisition used to activate or control equipment in customized ways
- Eight digital outputs can be programmed as momentary, latching, time-hold, time-delay or flashing
- Outputs are controlled based on the module's configuration, created using boolean logic with InterMotive's UIM Programming Utility program
- Simple plug and play connections

## Features

- FLEXIBLE DESIGN: Saves time, cost and additional components; user interface makes programming output functions as easy as clicking a button
- CONTROL: Multiple inputs can control a single output
- One high true output, seven low true outputs and two low true inputs
- CONVENIENCE: Works with FCA, Ford and GM CAN, plus J1939 to provide real-time chassis data
- Includes warning LEDs for easy troubleshooting

*Product features may vary by make, model or year. See instructions for complete details.*

Proudly distributed by

**LGS GROUP**  
AUTOMOTIVE TECHNOLOGIES

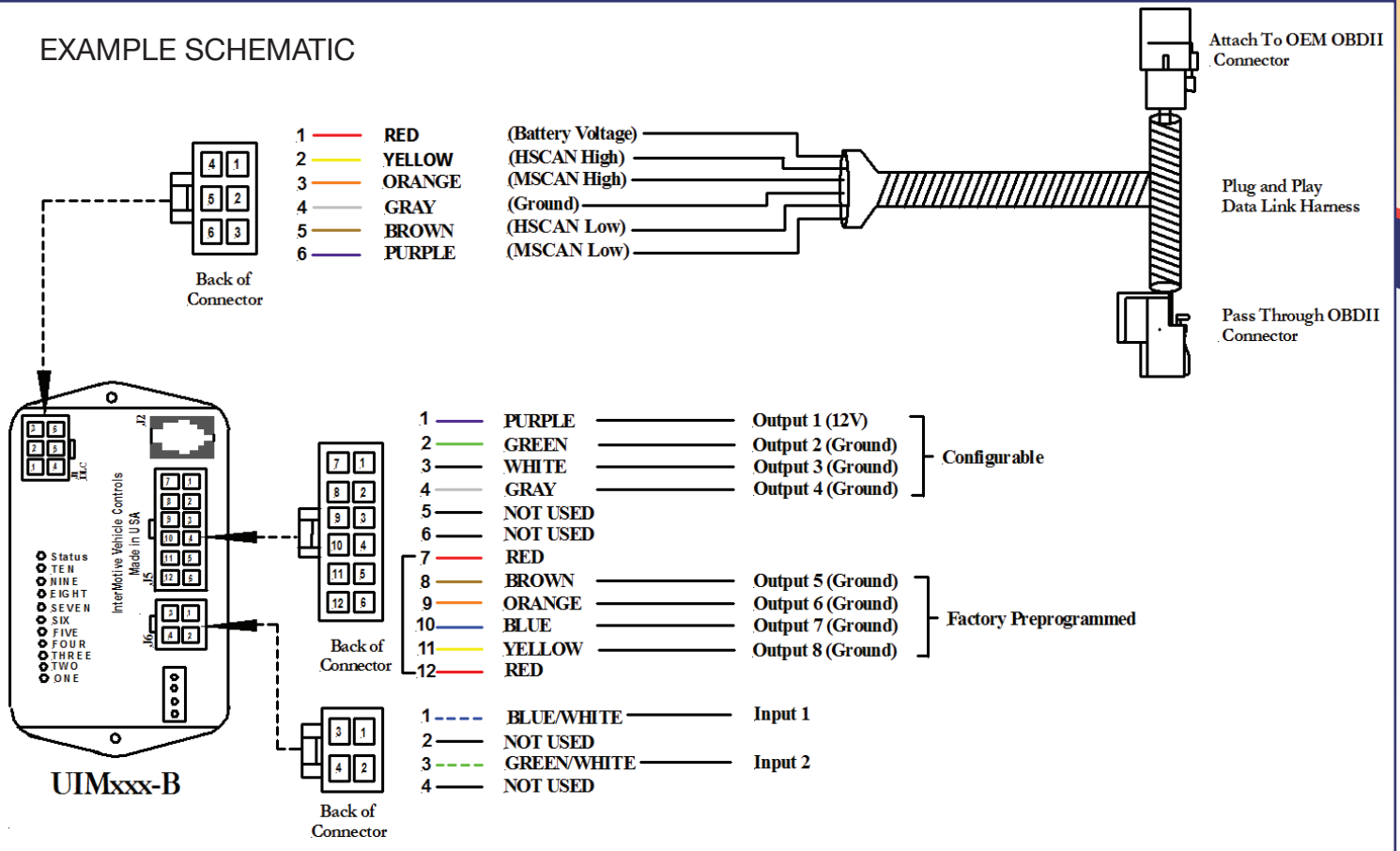
**(775) 831-2002**

# Details



Watch  
UIM in  
action

## EXAMPLE SCHEMATIC



## SPECIFICATIONS

Number of Inputs	Two active low inputs
Number of Outputs	Eight, with one active high
Current Draw	150 mA
Quiescent Draw	< 2 mA (sleep current)
CAN Speed	High and medium speed
Temperature Range	-40°C to 80°C
Dimensions	4" L x 2" W x 1" H

## AVAILABLE DATA INCLUDES: (partial list)

- **Transmission:** Range | Fluid Temperature
- **Lights:** External Lights\* | High and Low Beams | Turn Signals
- **Doors:** Lock | Unlock | Door Ajar
- **Brakes:** ABS Event | Park Brake | Service Brakes
- **Other:** Vehicle Speed | Seatbelt
- **Engine/Fuel:** Clean Tach Output | Check Engine Light (MIL)\*\* | Coolant and Oil Temp.† | RPM | Engine Running | Ignition Switch Status | Fuel Level | Intake Air Temp. | Throttle Position | Vbat | VSS (2.2 Hz/mph)

\* Daytime running lights only work with Ford vehicles

\*\* Check Engine Light Output does not work with RAM vehicles

† Oil Temperature only works with Ford vehicles