

**Lift Interlock
(LOCK)**

INTERMOTIVE
**VEHICLE
CONTROLS**

An ISO 9001:2015 Registered Company

Lift Interlock (LOCK)

Wheelchair Lift Safety System

Overview

- Prevents the vehicle from shifting out of Park if the wheelchair lift is not properly stowed
- Works with the ignition on or off
- System is fully compliant with FMVSS 403/404 and the Americans with Disabilities Act (ADA) for wheelchair lift interlocks
- Does not require cutting into OEM wires

Features

- Allows the lift to be operated from outside with the engine off
- Optional vehicle lockdown while the passenger door is open
- Requires the parking brake to be set for safe lift operation
- Uses Intermittent Fault Filter™ (IFF) technology to eliminate erroneous lift door signals

Product features may vary by make, model or year. See instructions for complete details.

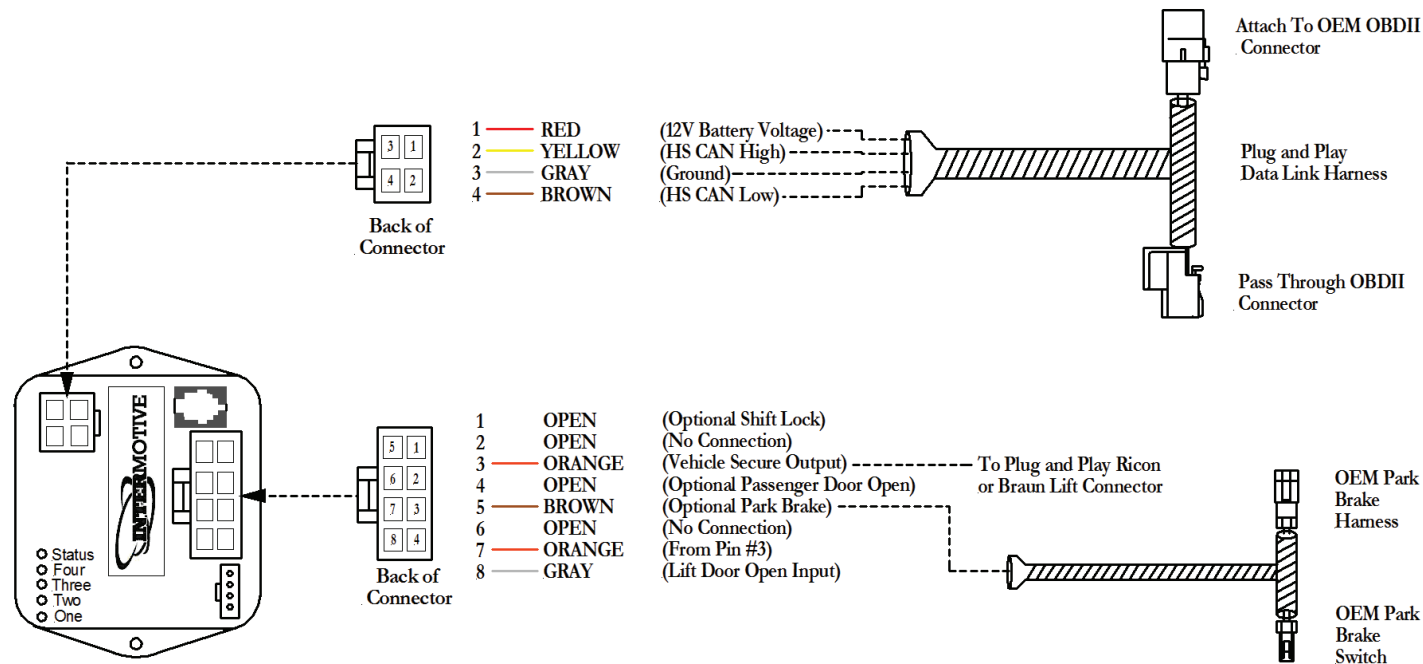
Proudly distributed by
LGS GROUP
AUTOMOTIVE TECHNOLOGIES

(775) 831-2002



Details

EXAMPLE SCHEMATIC



SPECIFICATIONS

| | |
|-------------------|---|
| Number of Inputs | Three active low (lift door open, Park brake and passenger door open) |
| Number of Outputs | Two high/low (vehicle secure and shift lock) |
| Current Draw | 50 mA |
| Quiescent Draw | 3 mA (sleep current) |
| CAN Speed | High and medium speed |
| Temperature Range | -40°C to 80°C |
| Dimensions | 3" L x 2" W x 1" H |