

**IdleLock**

**INTERMOTIVE**  
**VEHICLE**  
**CONTROLS**

An ISO 9001:2015 Registered Company

# IdleLock™

Secure Idling with Key Removed

## Overview

- Anti-theft system that allows the vehicle to idle with the key removed from the ignition and the transmission locked in Park
- Activated by pressing an enable switch and removing the key; inserting the key and turning it to run restores normal operation
- Simple plug and play connections
- Easy to install; no cutting of factory wires

## Features

- **SAFE:** Walk away from your idling vehicle with confidence that everything is safely locked
- **FULL FUNCTIONALITY:** All lights, equipment and HVAC are still fully functional while engaged
- **SECURE:** The engine shuts off if an attempt is made to shift out of Park without the key in the ignition
- Also provides a shift lock that can be used as an interlock for the rear door, or to secure the trunk or weapons rack for law enforcement vehicles



Ignition switch "T" harness shown

*Product features may vary by make, model or year. See instructions for complete details.*

Proudly distributed by

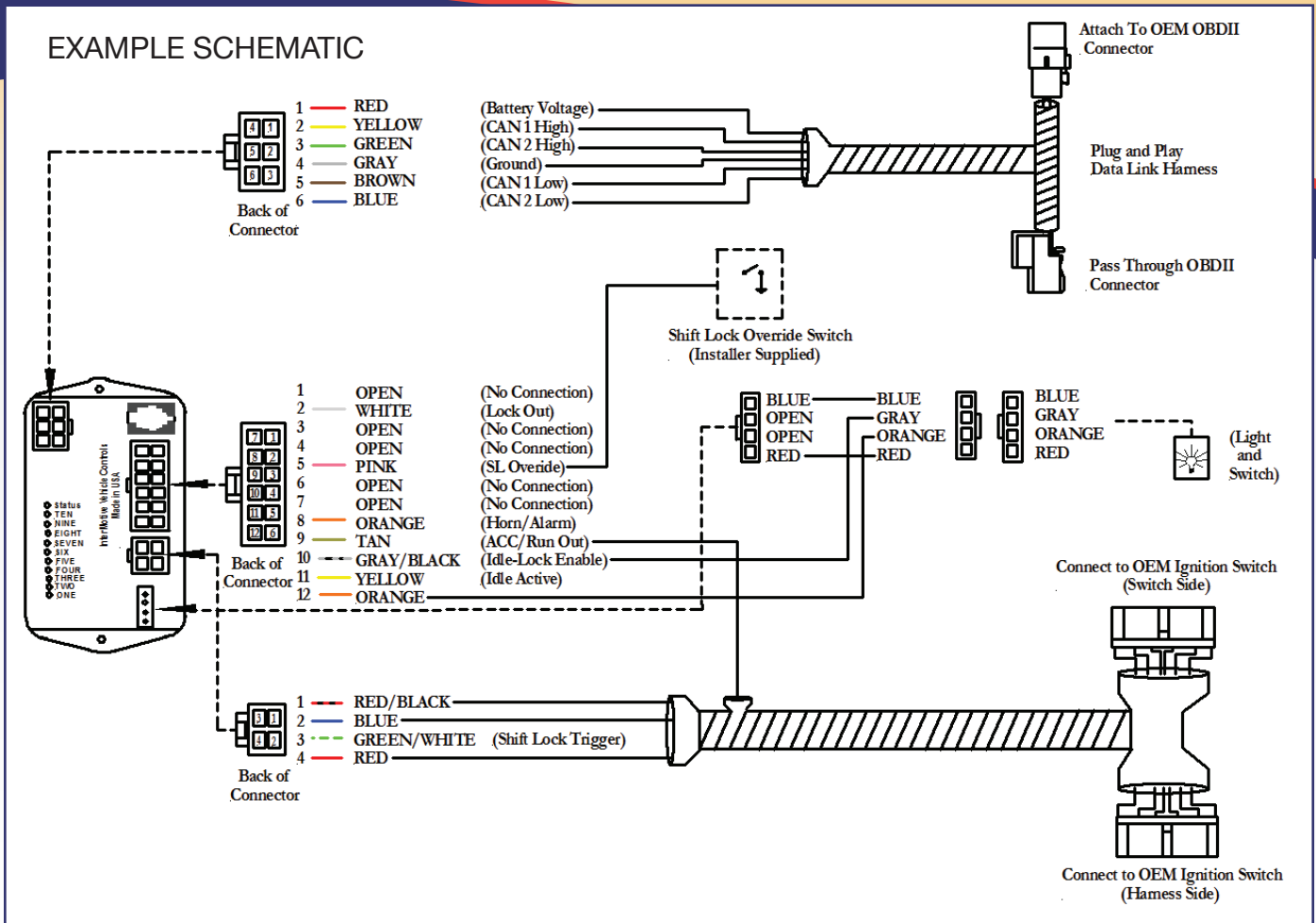
**LGS GROUP**  
AUTOMOTIVE TECHNOLOGIES

**(775) 831-2002**

# Details



Watch  
IdleLock  
in action



## SPECIFICATIONS

Number of Inputs      Three active inputs (one high, two low)

Number of Outputs      Three active outputs (two high, one low)

Current Draw      120 mA

Quiescent Draw      < 2 mA (sleep current)

Temperature Range      -40°C to 80°C

Dimensions      3" L x 2" W x 1" H