

Aftermarket Interface Module

INTERMOTIVE
VEHICLE
CONTROLS

An ISO 9001:2015 Registered Company

Aftermarket Interface Module™

Combined High Idle with
Upfitter Interface Module® Technology

Overview

- Passive CAN data acquisition
- High idle with park brake trigger (optional charge protect feature)
- Outputs can be programmed as momentary, latching, time-hold, time-delay or flashing
- Ability to unlock doors via the OBDII interface
- Optional shift lock feature for theft protection; lock the vehicle while in park with the engine running
- Simple plug and play connection for CAN data

Features

- FLEXIBLE DESIGN: Saves time, cost and additional components; user interface makes programming output functions as easy as clicking a button
- CONTROL: Multiple inputs can control a single output
- Eight high/low true outputs and two inputs
- CONVENIENCE: Works with Ford, GM and RAM vehicle CAN as well as J1939 to provide real-time chassis data
- Warning LEDs for easy troubleshooting

*Product features may vary by make,
model or year. See instructions
for complete details.*

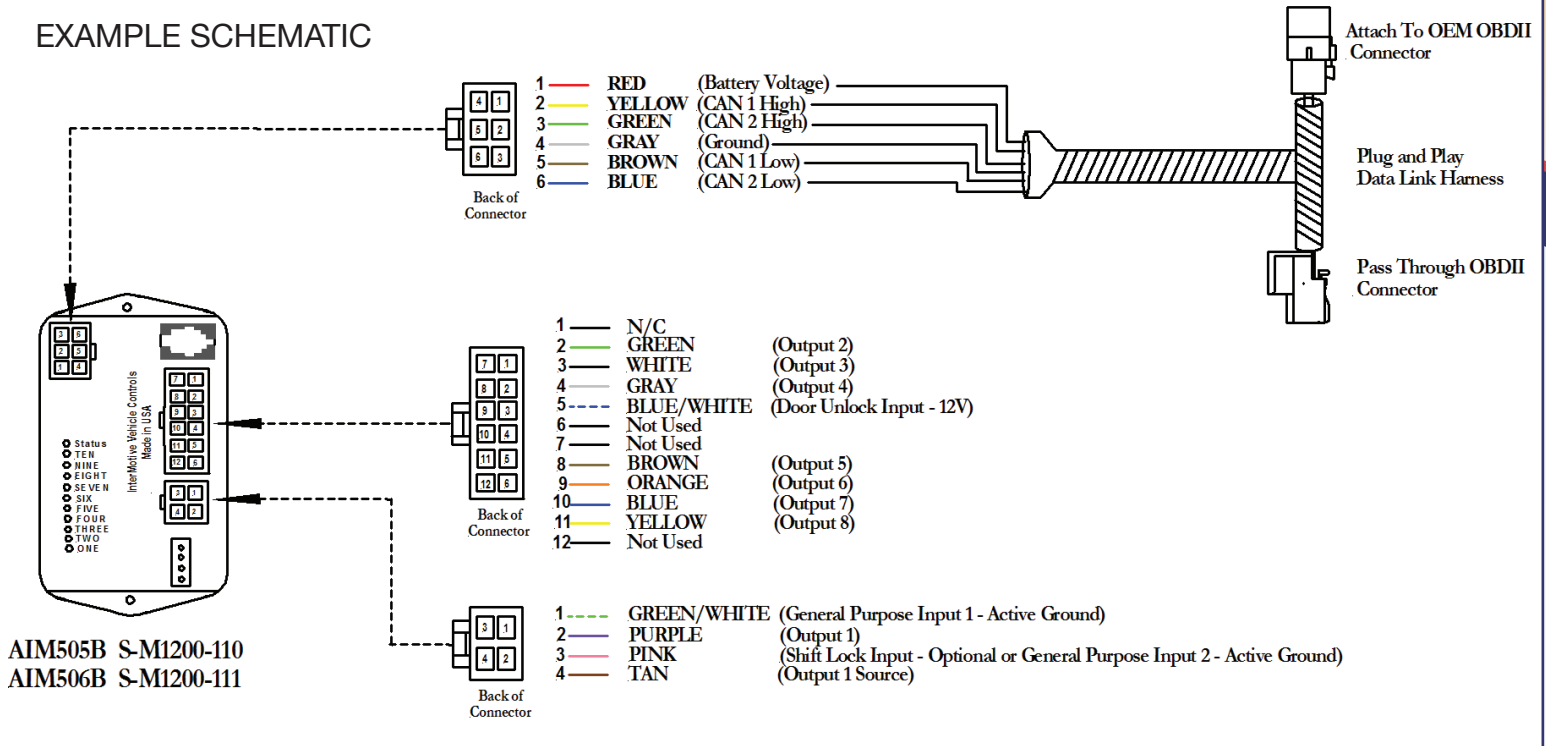
Proudly distributed by
LGS GROUP
AUTOMOTIVE TECHNOLOGIES

(775) 831-2002



Details

EXAMPLE SCHEMATIC



SPECIFICATIONS

Number of Inputs	Two
Number of Outputs	Eight
Current Draw	150 mA
Quiescent Draw	< 2 mA (sleep current)
CAN Speed	High and medium speed
Temperature Range	-40°C to 80°C
Dimensions	4" L x 2" W x 1" H

AVAILABLE DATA INCLUDES: (partial list)

- **Transmission:** Range | Fluid Temperature
- **Lights:** External Lights* | High and Low Beams | Turn Signals
- **Doors:** Lock | Unlock | Door Ajar
- **Brakes:** ABS Event | Park Brake | Service Brakes
- **Other:** Vehicle Speed | Seatbelt
- **Engine/Fuel:** Clean Tach Output | Check Engine Light (MIL)** | Coolant and Oil Temp.† | RPM | Engine Running | Ignition Switch Status | Fuel Level | Intake Air Temp. | Throttle Position | Vbat | VSS (2.2 Hz/mph)

* Daytime running lights only work with Ford vehicles

** Check Engine Light Output does not work with RAM vehicles

† Oil Temperature only works with Ford vehicles