

# Instructions



## EcoStar™ III Ford H-EC03-517 2026 Ford Transit

**\*One factory key fob will get modified and installed as part of the EcoStar III installation.**

## System Overview

### Introduction

EcoStar™ III (ESIII) is a configurable automatic engine stop/start system that provides improved fuel economy, lower vehicle emissions, improved engine life, and extended oil changes by shutting off the engine when appropriate. Automatic engine restarts are triggered by multiple configurable parameters: primary or secondary battery voltage, service brake, thermistor temperature and auxiliary restart input. Auto-restarts are preceded by a warning beeper sound. Battery charge protect prevents a dead battery when loads are left on. Two separate battery system inputs allow auto restarts from either a primary or auxiliary battery source. ESIII can fast idle the engine based on configurable triggers: primary or secondary battery voltage, park brake, AC, heater boost and external input. A hood switch interlock input disables the system when the hood is open.

ESIII operates key fob in and key fob out, combining the advantages of the EcoStar and EcoLock systems. With the key in, the system does not require any driver interaction. This passive operation leads to greater fuel savings. With the key out, the system provides more security. During key out operation the shifter is locked in the Park position.

The following are the default vehicle safety and functional pre-conditions for Auto Stop and Auto Restart. These and other parameters may be altered to suit specific needs. A new configuration file can be loaded with the InterMotive Download Manager. Configuration changes can be made with the InterMotive EcoStar™ III Mobile App.

Auto Stop Defaults	Auto Restart Defaults
Vehicle Hood = Closed	Vehicle Hood = Closed
Trans Range = Park or Neutral (speed = 0)	Trans Range = Park or Neutral (Speed = 0)
Battery Voltages > 12.0 V	Engine Auto-Stopped by ESIII
Brake Pedal = Not Pressed	Ignition Key in Run Position
Engine On Request = Not Active	
Thermistor Trigger = Not Active	

When all Auto Stop conditions are met, the ESIII will automatically stop the engine when the idle timer expires or an external discrete wire Ignition Off Request is activated. The default idle timer is set to 15 seconds. If ESIII detects the Ford engine shutdown feature, it will automatically override the timer. No customer action is required.

### ESIII Versions and Supported Vehicles

Make sure the version of EcoStar™ III you are installing is the correct one for you vehicle. There may be new vehicles or model years added. If you don't see your vehicle or model year below, please check with InterMotive.

**H-EC03-517** 2026 Transit

#### ESIII Add-On Options

-T: Thermistor for temperature activated Auto Restart. (2ft, 15ft, 25ft options)

# Instructions

## IMPORTANT — READ BEFORE INSTALLATION

It is the installer's responsibility to route and secure all wiring harnesses where they cannot be damaged by sharp objects, mechanical moving parts and high heat sources. Failure to do so could result in damage to the system or vehicle and create possible safety concerns for the operator and passengers.

Avoid placing the module where it could encounter strong magnetic fields from high current cabling connected to motors, solenoids, etc. Avoid radio frequency energy from antennas or inverters next to the module. Avoid high voltage spikes in vehicle wiring by always using diode clamped relays and solenoids when installing upfitter circuits.

## CAUTION

All electronic products are susceptible to damage from Electrostatic Discharge or ESD. Ground yourself before handling or working with the module and harnessing by first touching chassis ground, such as the barrel of the cigarette lighter.



## Installation Instructions

**Disconnect vehicle battery before proceeding with installation.**



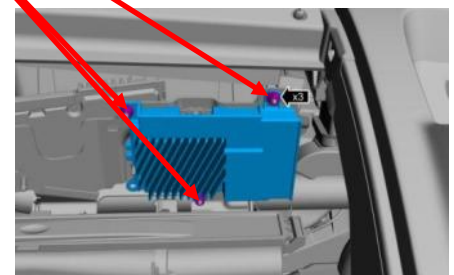
**WARNING**  
Disconnect the battery to  
prevent setting a check engine  
light.

## ESIII Module

Remove the lower dash panel below the steering column and find a suitable location to mount the module. Locate the module in an area away from excessive heat sources (engine, heater ducts, etc.). Ensure when routing harnesses that the tilt steering column does not contact them in the full down position. When installing the harnesses, leave several inches of take-out so the module can be removed if necessary. Do not mount module until all wire harnesses are routed and secure. The last step of the installation is to mount the module.

## Gateway Plug and Play Harness (840-00300)

1. Locate the vehicles Gateway Module. It will be mounted behind the glove compartment.
2. Press the tabs inward on the sides of the glove compartment and fully lower it.
3. Remove the cubby panel to the right of the glove box.
4. Remove the 3 nuts securing the Gateway module to the vehicle.
5. Remove the 26-pin connector from the side of the Gateway module and plug into the mating connector on the 840-00300 harness.
6. Plug the male 26-pin connector from the 840-00300 harness into the Gateway module.
7. Reinstall the Gateway module and the glove compartment.
8. Route the harness to the mounting location for the ESIII module. Do not plug in the 6-pin connector at this time. Plugging in this connector is the final step of installation.



# Instructions

## Key Fob

1. Remove the key from the fob.



2. Remove the battery cover from the fob using a small flat head screwdriver.



3. Remove the battery from the fob using a small flat head screwdriver.



# Instructions

## Key Fob

4. Remove the Ford Logo overlay from the back of the battery holder and place in the jig as shown.



5. Flip the jig over and drill a hole through the battery holder using a 1/2" drill bit.



6. Place the InterMotive battery board in the key fob as shown.



# Instructions

## Key Fob

7. Place the drilled battery holder back onto the key fob and plug the InterMotive harness into the connector.



8. Place the key fob in the included enclosure as shown.



9. Place the cover over the bottom part of the enclosure with the key fob and install the four screws.



## EcoStar Key Out Enable Switch with Active LED (S-H84GX)

A switch with LED is provided in the kit.

1. Drill a 16mm (0.630") hole in the desired mounting location. One possibility is the dash panel to the left of the Steering Wheel.
2. Route the switch and LED harness through the hole and mount it in the hole.
3. Slide the switch and LED's lock nut onto the harness and snug it down onto the back of the switch.
4. Plug in the 4 pin (Black) connector of the S-H84GX harness into the mating connector on the 840-00439 harness. **NOTE: this harness does not plug into the module J2 connector.**



# Instructions

## Service Brake Switch Connections

1. Locate the Service Brake connector (shown in picture) and unplug it.
2. Plug in the mating connectors from the 840-00439 harness.



## Ignition Switch Connections

1. Release the column tilt lever. Locate the ignition switch connector and disconnect it from the switch, or push the ignition switch out of the shroud and disconnect it.
2. Route the harness section with the ignition switch connectors to the ignition switch location.
3. Plug the OEM connector into the mating connector on the Intermotive harness.
4. Plug the InterMotive ignition connector into the OEM ignition switch.



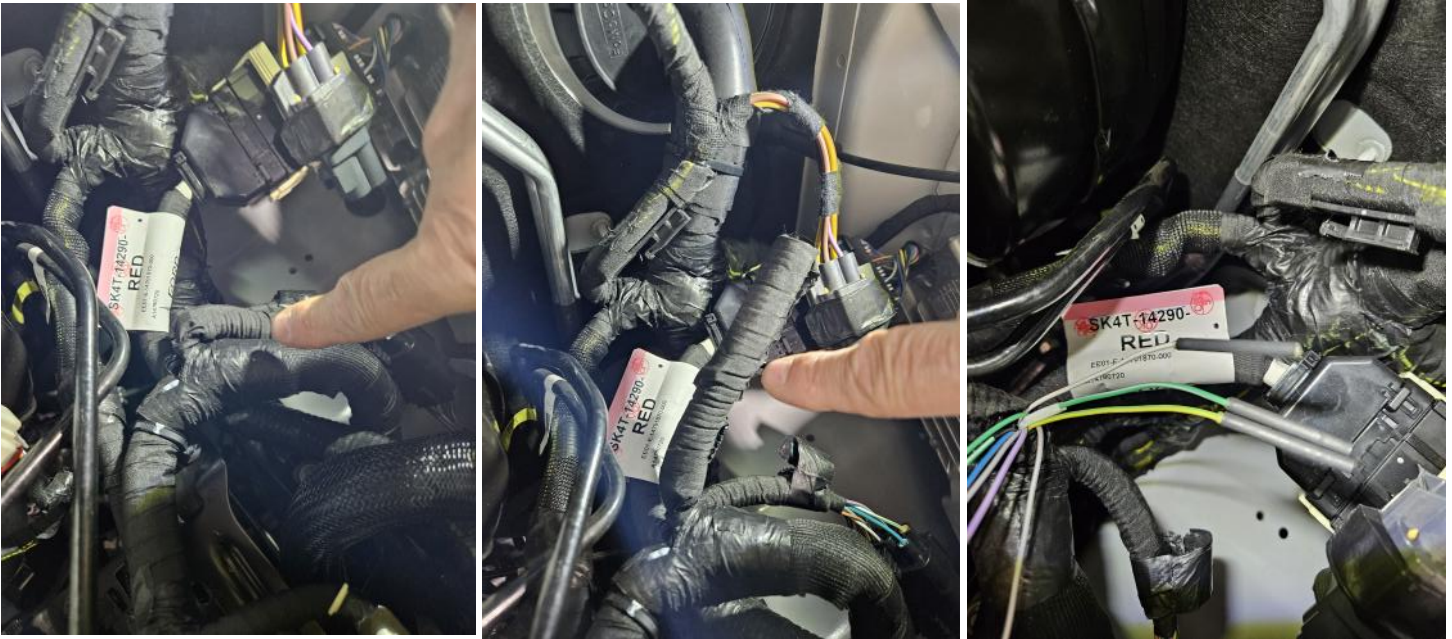
# Instructions

## Fast Idle

The fast idle system controls engine idle RPM in response to a number of triggers in order to increase electrical and mechanical output of the vehicle. By default, gas engines idle at 1500 RPM.

## Fast Idle SEIC Installation (2026+ Ford Transit)

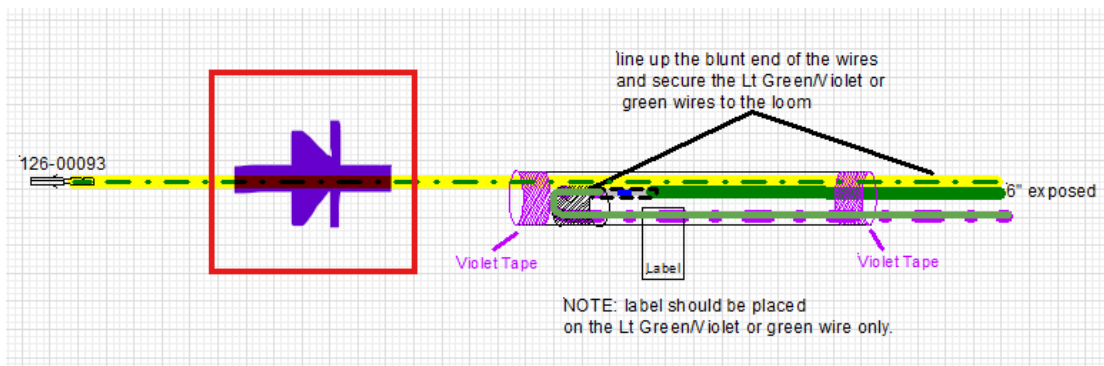
1. Locate the SEIC wire bundle in the engine bay. See pictures



## SEIC Installation (InterMotive Harness 840-00420-15)

1. Expose the YEL/GRN, GRN/WHT, and WHT/BRN wires
2. Using solder and heat shrink, solder the following wires together:
3. GRN/VLT wire from InterMotive SEIC Harness to the WHT/BRN OEM wire
4. YLW/GRN wire from the InterMotive SEIC Harness to the YLW/GRN OEM wire
5. GRN wire from the InterMotive SEIC Harness to the GRN/WHT OEM wire

**Optional Diode:** Splice the diode into the YEL/GRN cable pointing to the PCM connection. (The white line on the diode should be on the PCM side)



# Instructions

## Shift Lock Connection (**EC03-517**)

There are multiple cup holder options for the Ford Transit. Please follow the appropriate instructions.

### Option 1

- Remove the cup holder.



- Locate connector 2810 (12-pin connector). Remove the OEM connector and plug it into the mating 12-pin connector T-harness supplied with the EC03-517. Plug the remaining male connector into the OEM cavity.



# Instructions

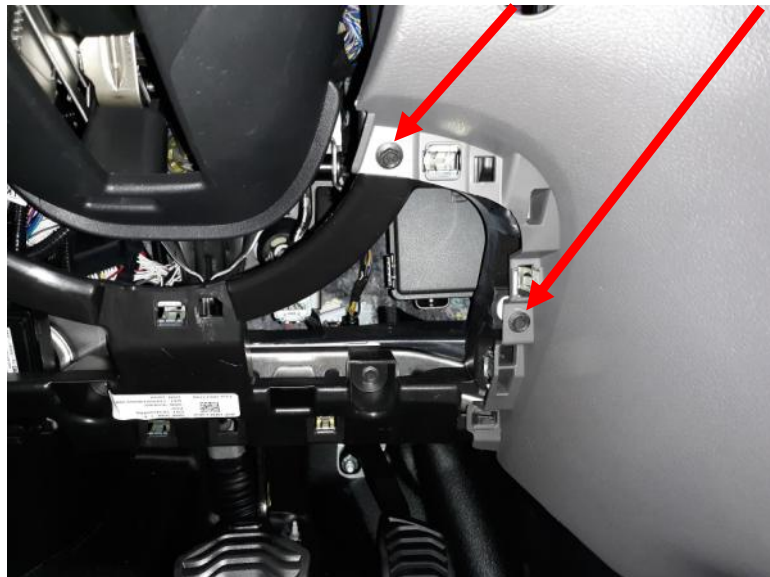
## Shift Lock Connection (Continued)

### Option 2

- Remove the under dash panel by firmly grasping it and pulling it towards the rear of the vehicle.



- Remove the two screws as seen in the photo.



# Instructions

## Shift Lock Connection (Continued)

- Remove the trim panel on the passengers side (see photo) by using a plastic trim removal tool.



- Open the glove box and remove the screw as shown in the photo.



# Instructions

## Shift Lock Connection (Continued)

- Remove the gear shifter trim panel using a plastic trim removal tool.



- Remove the small trim piece shown in photo.



## Instructions

### Shift Lock Connection (Continued)

- Remove the center under dash panel by firmly grasping it and pulling it towards the rear of the vehicle.



- Locate connector 2810 (12-pin connector). Remove the OEM connector and plug it into the mating 12-pin connector T-harness. Plug the remaining male connector into the OEM cavity.



# Instructions

**I/O Features and Descriptions:** (Solder and heat shrink all connections)

## Key Out Enable Input

Pin #2 (Gray wire) of the 8-pin J4 Connector is the Key Out Enable input. This input connects to momentary switch supplied in the ESIII kit. This enable input is high true (12V). When the momentary button is pressed and released, an LED integral to the button will flash rapidly. Then the user can remove the key within a pre-configured amount of time to activate key out mode. The default period of time is 3 seconds. If key out mode is successfully activated, the integral LED will continue to flash every two seconds. If the key is not removed within the time period the LED will flash rapidly and stop flashing.

## Ignition/Engine Off Request Input

Pin #4 (White wire) of the 8-Pin J4 Connector is an Engine Off Request input. Grounding this wire with a switch allows remote engine shutoff capability. Keeping this input grounded will keep the ignition switch power off (exceptions: a remote Engine On Request, low battery OR thermistor restart trigger **will** restore ignition power and restart the engine). Leaving the ignition off after an Engine Off request reduces the draw on the battery to a minimum, allowing the greatest amount of time between low battery restarts.

## Engine On Request Input

Pin #6 (Green wire) of the 8-Pin J4 Connector is the Engine On Request input which may be wired to vehicle equipment which requires the engine to continue running. **This switch input must provide a ground when restart is desired.** Solder and heat shrink all connections. This input also acts as a Shutdown Inhibit. As long as it is active (grounded), the Anti-Idle shutdown timer and the Request Engine/Ignition Off inputs will not turn the vehicle off.

An optional thermistor may be attached to the Engine On input if a temperature activated auto-restart is desired. The thermistor option may be used to auto restart the engine as a result of either cold or hot temperatures. For example, it may be used to prevent the engine from getting too cold in severe environments. It may also be used in police K9 vehicles to prevent cabin temperature extremes. Mount the thermistor in a location where it cannot be damaged by sharp objects and mechanical moving parts such as the Park Brake or tilt steering wheel mechanisms.

- **Low Temperature Thermostat Engine Cycling** Assumes the cabin heater is turned on. If the cabin temperature does not increase 6 minutes after a low temperature restart the thermostat is disabled until the key is cycled.
- **High Temperature Thermostat Engine Cycling** Assumes the cabin air conditioner is turned On. If the cabin temperature does not decrease 6 minutes after a high temperature restart, the thermostat is disabled until the key is cycled.

# Instructions

## I/O Features and Descriptions (continued)

### Aux Battery Input (Up to 60 Volt)

Pin #8 (Gray wire) of the 8-Pin J4 Connector is an auxiliary battery voltage monitor input. It measures the analog battery input and can trigger a low battery restart when this input falls below a user defined level. By default this trigger is disabled, but it may be enabled via the ESIII mobile app. Contact InterMotive for details.

### Restart Beeper

Pin #2 (Orange wire) of the 4-Pin J5 Connector drives a warning beeper that will sound for 2 seconds prior to all restarts except Service Brake restarts.

1. Find a suitable location for mounting the warning beeper so that it is audible to the driver.
2. Connect the Orange lead to Red post of beeper and the Black lead to the negative post.

Rotate the bezel on the beeper to control volume.

### Configurable Low Current Outputs

Pin #3 of J5 (Yellow wire) (0.5 Amp Max) , Pin #4 of J5 (Pink wire) (1 Amp Max), Pin #1 of J12 (Tan wire) (0.5 Amp Max) and Pin #2 of J12 (Light Green wire) (0.5 Amp Max) are configurable outputs. These outputs can be configured with one of the following 9 logic modes.

#### 1. Lock Mode

When configured for lock mode, an output can control installer supplied normally closed relays to secure equipment when key out is active (e.g. trunk and weapon rack release buttons in police applications). When ESIII activates this output, the relays will open the circuits from the buttons and disable them. This minimizes possible theft when ESIII is active and the vehicle is unattended.

When ESIII is enabled, this output becomes active after a configurable delay. (default 10 seconds) This output remains active until the key is back in the run position.

If an attempted theft is detected and ESIII disables, this output will still remain active until the key is back in the run position.

#### 2. Key Out Active

An output using this logic mode can control installer supplied normally closed relays or auxiliary indicator LEDs. This output can enable/disable equipment while ESIII is cycling the engine in key out mode. When key out operation is enabled, this output becomes active. This output remains active until the key is back in the run position.

If an attempted theft is detected and ESIII disables, **this output will turn off.**

#### 3. Equipment Enable

An equipment enable output will force the operator to depend on ESIII stop/start capability in order to use their equipment. This output is only active when the Request Engine Off input is active. While this input is active, ESIII will cycle the engine based on primary/secondary battery Voltages and the Request Engine On input (which includes the optional thermostat function).

The Equipment Enable Load Output is similar to the Un-Interrupted Load Output. The difference is that this load ensures that Eco-Star is cycling the engine. In the case of the Un-Interrupted Load Output, there are ways to disable the stop/start capabilities of Eco-Star (disable idle timer or set to 30 minute idle time) while retaining the output.

# Instructions

## 4. Un-Interrupted Load Control

ESIII shuts down the vehicle's engine by simulating key OFF or ACCESSORY condition. All electrical loads that normally shut off when the key is in the simulated position will lose power. This may not be desirable for all loads and can be avoided by wiring an external relay to an ESIII output configured with this mode (continue reading for proper relay wiring).

The Ignition Power Signal will normally activate only when the key is in the Run/Start position. However, when EcoStar is commanding Ignition Off, the Ignition Power Signal becomes Key In Ignition. These loads will drain the battery faster. Use of LED lights and higher capacity batteries is recommended.

## 5. Engine Run

An output with this logic mode will turn on when the engine is running. This logic mode can be used to disable equipment when the engine is not running.

## 6. Theft Alarm

The output will pulse during theft alarm sequence. Connect to auxiliary visual or audible alarm equipment.

## 7. AFIS Trigger

The output will activate when the AFIS conditions are met to trigger fast idle. This output can be connected to OEM SEIC wires.

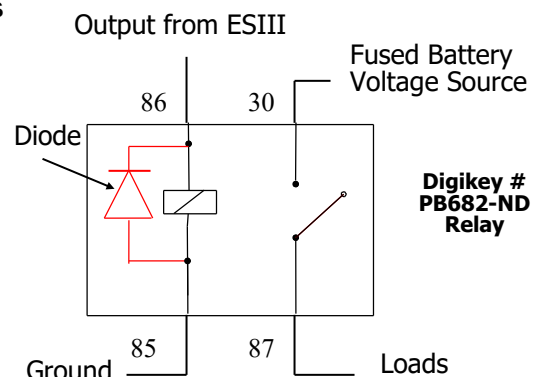
## 8. Door Lock

The output will activate for 250 ms when the OEM doors are locked. This output can be connected to non-OEM locks for doors or storage containers.

## 9. Door Unlock

The output will activate for 250 ms when the OEM doors are unlocked. This output can be connected to non-OEM locks for doors or storage containers.

Pin #3 of J5 (Yellow wire), Pin #1 of J12 (Tan wire), and Pin #2 of J12 (Light Green wire) are capable of driving up to 0.5 Amp max. Pin #4 of J5 (Pink Wire) is capable of driving up to 1 Amp max. When connecting to a relay, always use a diode clamped relay, such as Digikey part number PB682-ND, or add a diode across the relay coil as shown, observing the required polarity. The use of a relay without diode clamped suppression causes high voltage spikes when the relay coil is deactivated. These voltage spikes may cause damage or intermittent behavior to on-board vehicle control modules. Resistors and other methods of clamping are not as effective and are not recommended.



## Instructions

### **Configurable Shift Lock/Fast Idle Input**

Pin #3 of J4 (Yellow Blue wire) (+12V) is a configurable input. ESIII can use this input as a shift lock trigger, a fast idle trigger, or both. The configuration can be adjusted with the EcoStar III mobile app.

### **ESIII Module Mounting**

Ensure all harnesses are properly connected and routed and are not hanging below the dash area. Mount the module as described on page one, and secure with two screws or double sided tape. Plug in the 6-pin connector into the ESIII module.

**Reconnect vehicle battery**

## Instructions

### Post Installation Operational Test

**Test 1.** With engine running, transmission in Park or Neutral, hood closed, activate the Engine Off Request switch input. Engine will shut off, ignition will be held off.

**Test 2.** Release the Engine Off Request. Ignition power will be restored, loads that are powered with key in Run will be restored. Engine will not start (low battery could cause a restart).

**Test 3.** Activate the Engine On Request input. The Engine will automatically restart.

**Test 4.** Release the Engine On Request and confirm the module shuts off the engine after \*15 seconds. Note: Applying the Service Brake may prevent the timer from counting down and shutting off the engine.

**Test 5.** Start the engine and enable key out operation by pressing the enable button, exit the vehicle with the key fob, and close the door within \*10 seconds. If successful, the LED that is integral with the button will continue to flash.

**Test 6.** Confirm the module shuts off the engine after \*12 seconds.

**Test 7.** Repeat test 3 with hood open. As a safety feature, the ESIII **MUST NOT** start or stop the engine when the hood is open. If the Engine Start Request starts engine with the hood open, recheck the installation.

**Test 8. OPTIONAL.** Verify fast idle activates based on configured triggers.

**NOTE:** ESIII will not shut off the engine for 5 seconds after the engine is started. If ESIII detects the Ford shutdown feature, it will automatically override the timer. No customer action is required.

\*These values are configurable and may change from the stated default values.

**Do not put vehicle in service unless hood open disables EcoStar™ III from auto restarting engine.**

**If the system fails any of the above tests, check the related wiring. If necessary, call InterMotive Technical Support. Do NOT release vehicle for service unless it has passed all of the above tests.**

### Want to change default settings?

To make changes to the default EcoStar™ configuration, use the InterMotive EcoStar™ III Mobile App. The app allows you to view or modify any of the ESIII configurable parameters. If the configuration is altered, make note of the modifications for future serviceability and include them with the vehicle.

# Instructions

## Leave in vehicle Operating Instructions EcoStar™ III Ford H-EC03-517-B 2026 Ford Transit

- EcoStar™ III (ESIII) provides enhanced fuel economy and lower vehicle emissions for customers by limiting engine idle time. Vehicle fuel economy is improved by automatically shutting off the vehicle's engine to prevent unnecessary idling. Restarts can be automatically triggered by low battery voltage, Service Brake, remote equipment operator requests, or thermostat restart trigger (if enabled).
- The system can operate key in (no driver interaction required) or key out by pressing the key out enable button and exiting the vehicle with the key fob within 10 seconds (configurable). During key out operation the shifter is locked and idle timer is 2 seconds. The LED integral with the enable button will flash while key out is active.
- The Engine Off Request is a remote switch that when activated turns the engine off by switching off ignition power. The ignition remains off until: 1) Engine Off Request is removed, 2) Low battery causes a restart, 3) a remote Engine Start Request switch is activated or 4) Thermostat triggered restart. The module keeps ignition off to reduce the demand on the batteries, thereby delaying a low battery restart as long as possible.
- The Engine will also be auto-stopped when the idle time exceeds the time out period. The default timeout period is 15 seconds of idling in Park or Neutral. After that period elapses, the engine will be automatically turned off. Note that the Service Brake and the Engine On switch will prevent idle timer shutoff. If ESIII detects the Ford shutdown feature, it will automatically override the timer. No customer action is required.
- The Engine On Request switch, if installed, is a remote trigger that, when activated, will start the engine after an auto-stop has occurred. Activating the Engine On Request while the vehicle is running will prevent all auto-stops from occurring. If the vehicle is equipped with the optional thermistor, the vehicle may auto-restart and shut off based on temperature
- Once the engine has been auto-stopped, ESIII monitors the main battery voltage (an auxiliary battery may also be monitored). If either fall below a minimum restart voltage, the module will sound an alarm for 2 seconds and auto-restart the vehicle to recharge the batteries. The default restart value is 12.0 Volts for the main battery (aux battery input is disabled). Once the main battery charges above 13.5 volts, a recharge timer of 900 seconds begins that will turn off the engine again.
- ESIII will fast idle the engine based on configurable triggers: primary or secondary battery voltage, park brake, AC, heater boost and an external input.
- An ESIII mobile app is available to view idle reduction stats, view or modify the configuration, and perform system diagnostics.

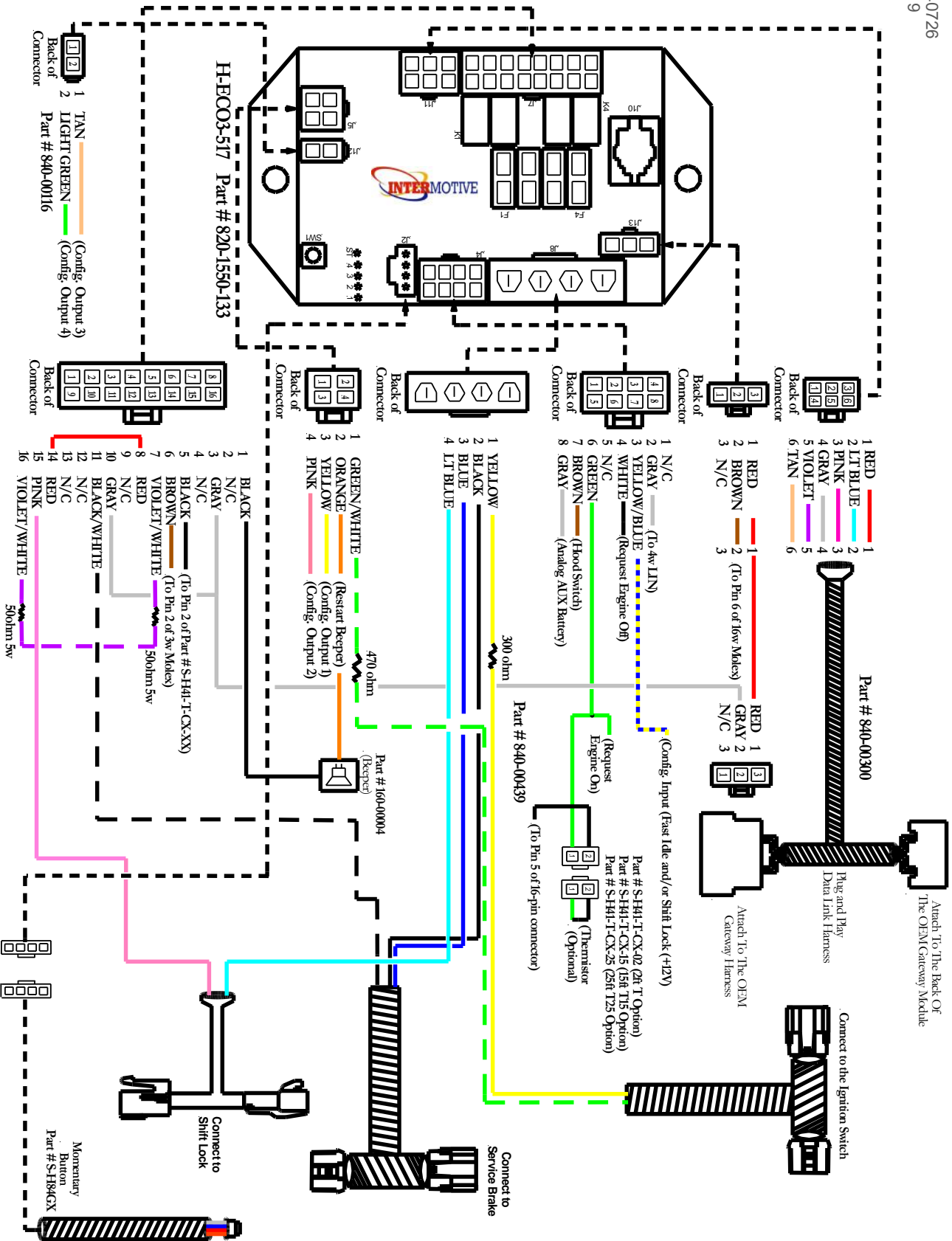
### Default requirements for engine auto-stop

Transmission in Park or Neutral (vehicle not moving), Hood Closed, Service Brake not applied, Battery Voltage greater than 12.0 Volts (may differ from default setting), no thermostat trigger, and Engine Restart switch must not be "on" (this switch input overrides the Engine Off Request and Idle Timer).

### Default requirements for engine auto-restart

Hood Closed, Engine must have been auto-stopped, Transmission in Park or Neutral, and the key in the Run position.

Once above conditions are met, the engine will restart when the Engine On Request is activated, a low battery is detected or Thermostat restart trigger is activated.



Submit product registration at [www.intermotive.net](http://www.intermotive.net)

If the ESIII-517 fails any step in the Post Installation Check List, review the installation instructions and check all connections.  
If necessary, call InterMotive Technical Support at (530) 823-1048.