

Surveillance Mode Module

INTERMOTIVE
VEHICLE
CONTROLS

An ISO 9001:2008 Registered Company

Surveillance Mode Module™

Detects Movement Behind Police Vehicles

Overview

- Increases a police officer's situational awareness when parked and working inside the vehicle
- Detects movement behind the vehicle and alerts the driver with audio and visual warnings
- Uses the vehicle's OEM reverse sensing system, camera and cross traffic sensors (if equipped)
- Simple plug and play connection (for most applications)

Features

- When the sensors are tripped, Surveillance Mode Module™ will automatically:
 - Sound an alert chime
 - Raise the front windows
 - Lock the doors
 - Turn on or flash the reverse lights and/or tail lights
 - Can activate the light bar and/or siren
- Available for the Ford Interceptor, Chevy Tahoe and Dodge Charger Pursuit

Product features may vary by make, model or year. See instructions for complete details.

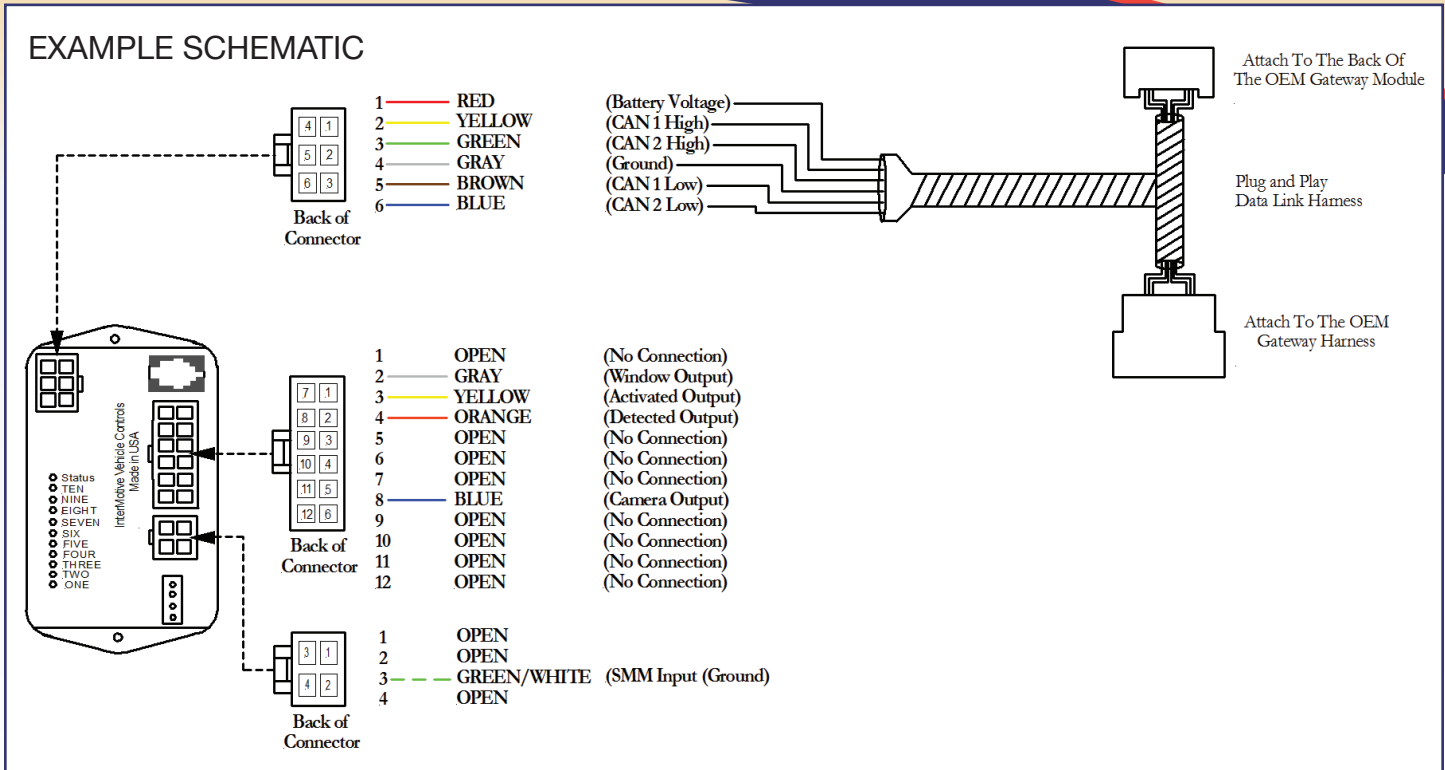
Proudly distributed by
LGS GROUP
AUTOMOTIVE TECHNOLOGIES

(775) 831-2002



Details

"It works great. ... Thank you for helping us stay alive!"
 ~ Captain Jim Benton, Scott County Sheriff's Office



SPECIFICATIONS

Number of Inputs	One active low input (for system activation)
Number of Outputs	Four outputs (one enabled, one tripped, one camera and one window)
Current Draw	~60 mA
Quiescent Draw	~2 mA (sleep current)
CAN Speed	High speed
Temperature Range	-40°C to 80°C
Dimensions	4" L x 2" W x 1" H