



**INTERMOTIVE**

**VEHICLE  
CONTROLS**

An ISO 9001:2008 Registered Company

# Lift Interlock (LOCK)

Wheelchair Lift Safety System

## Overview

- Prevents the vehicle from shifting out of Park if the wheelchair lift is not properly stowed
- Works with the ignition on or off
- System is fully compliant with FMVSS 403/404 and the Americans with Disabilities Act (ADA) for wheelchair lift interlocks
- Does not require cutting into OEM wires

## Features

- Allows the lift to be operated from outside with the engine off
- Optional vehicle lockdown while the passenger door is open
- Requires the Park brake to be set for safe lift operation
- Uses Intermittent Fault Filter™ (IFF) technology to eliminate erroneous lift door signals

*Some features vary by chassis.  
See instructions for complete details.*

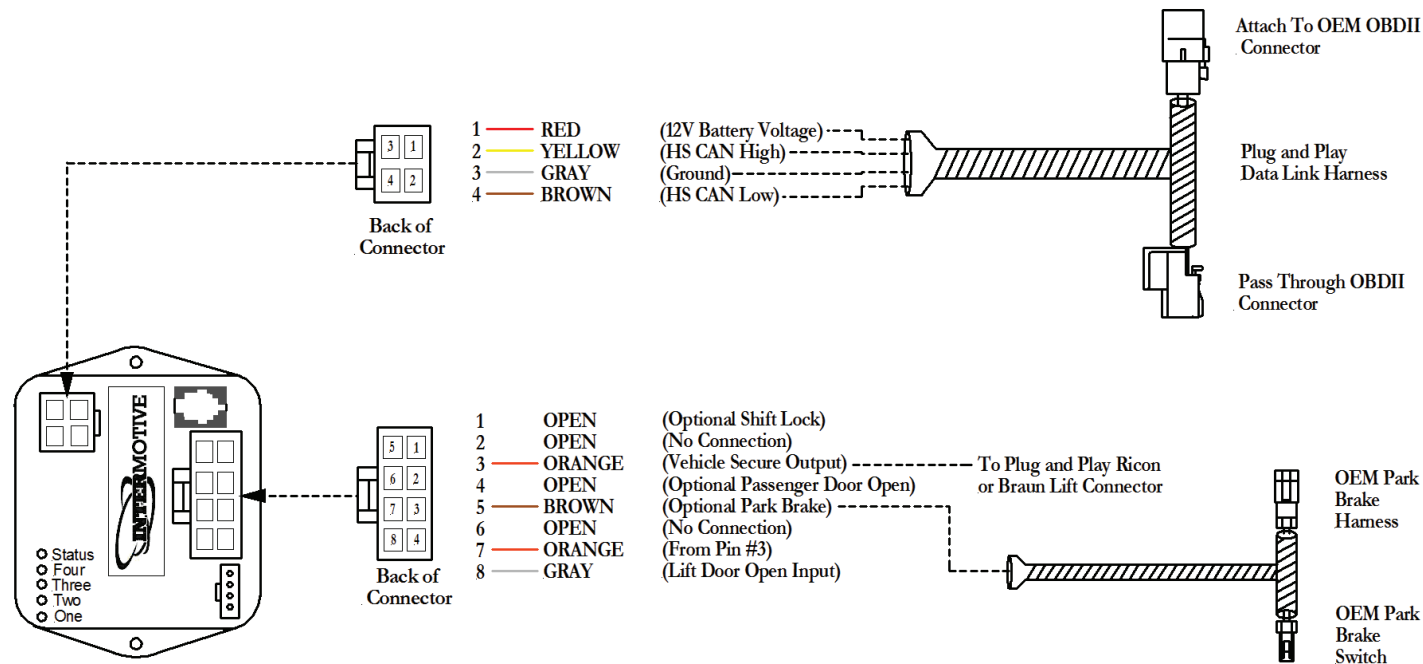
Proudly distributed by  
**LGS GROUP**  
AUTOMOTIVE TECHNOLOGIES

**(775) 831-2002**



# Details

## EXAMPLE SCHEMATIC



## SPECIFICATIONS

|                   |   |
|-------------------|---|
| Number of Inputs  | Three active low (lift door open, Park brake and passenger door open) |
| Number of Outputs | Two high/low (vehicle secure and shift lock)                          |
| Current Draw      | 50 mA   |
| Quiescent Draw    | 3 mA (sleep current)  |
| CAN Speed         | High and medium speed   |
| Temperature Range | -40°C to 80°C   |
| Dimensions        | 3" L x 2" W x 1" H  |