

Idle Timer Controller

Idling Engine Shutdown System

Overview

- Programmable automatic engine shutdown after a set period of time in Park
- Easy to override if equipment is in use
- Simple plug and play connection

Features

- **FUEL SAVINGS:** Automatically turns the engine off after 5 to 15 minutes (timer can be modified)
- Microprocessor performs diagnostic tests every time the system is used
- **ECO-FRIENDLY:** Helps meet state and local anti-idling laws
- Shutdown warning buzzer/light output
- Override high and low inputs to prevent engine shutdown
- Optional override keyed switch

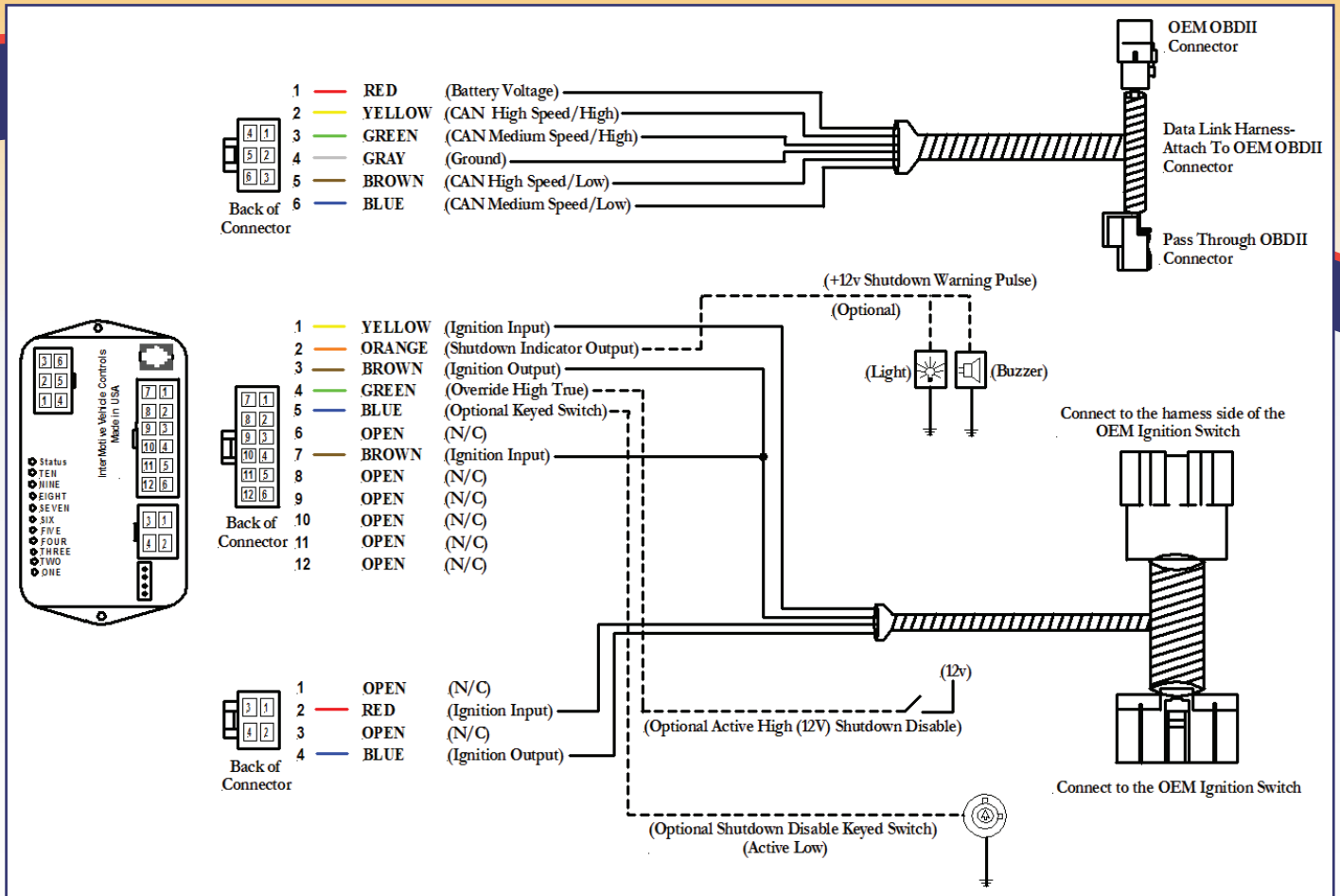


Proudly distributed by

LGS GROUP
AUTOMOTIVE TECHNOLOGIES

(775) 831-2002

Details



SPECIFICATIONS

Number of Inputs	One active low override input, one active high override input
Number of Outputs	One active high shutdown indicator output
Current Draw	60 mA
Quiescent Draw	2 mA (sleep current)
CAN Speed	High and medium speed
Temperature Range	-40°C to 80°C
Dimensions	4" L x 2" W x 1" H