



INTERMOTIVE

**VEHICLE
CONTROLS**

An ISO 9001:2008 Registered Company

Intelligent Switch Module

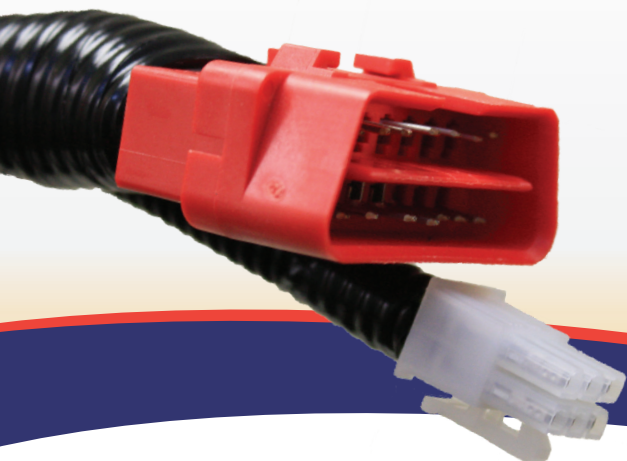
Configurable Steering Wheel Buttons

Overview

- Allows for custom programming of the AUX or radio buttons on the steering wheel
- Increases the functionality of the vehicle
- Simple plug and play connection

Features

- Configurable for multiple functions as latching, momentary, radio or timed
- Can be used to activate lights, sirens, spotlights and push-to-talk radio
- Also activates installed features such as Surveillance Mode, Blackout Mode and other InterMotive products

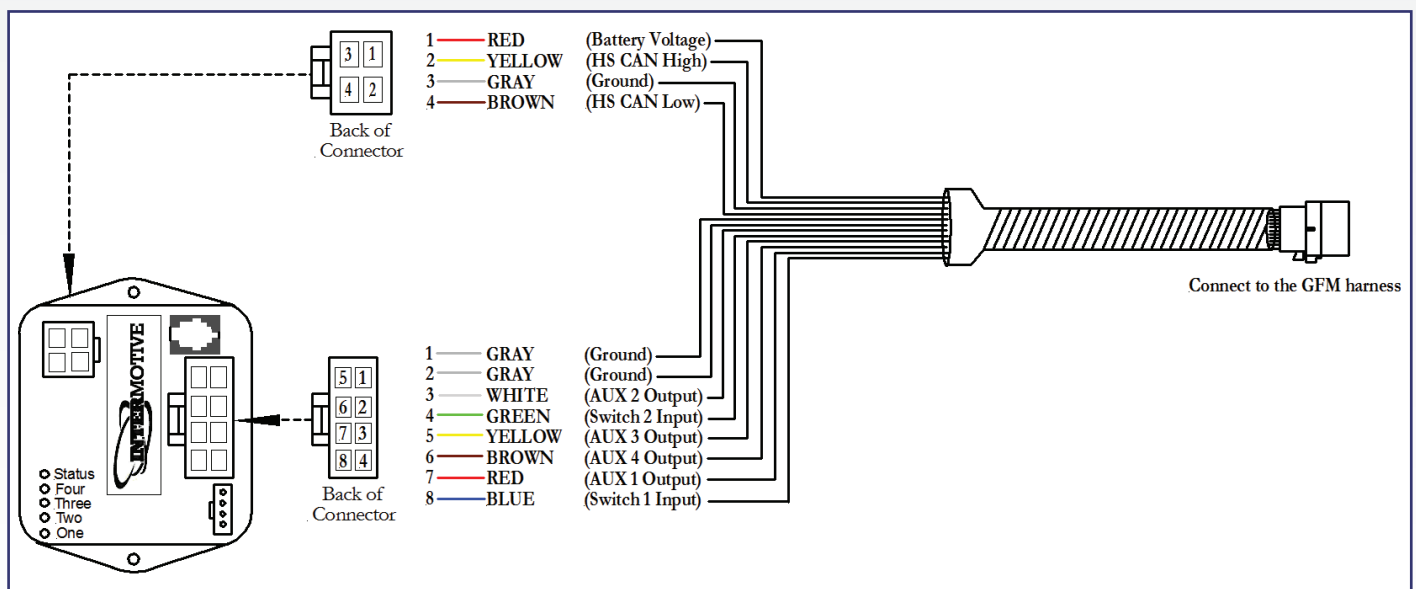


Proudly distributed by

LGS GROUP
AUTOMOTIVE TECHNOLOGIES

(775) 831-2002

Details



SPECIFICATIONS

Number of Outputs Four outputs (two power or ground and two ground)

Current Draw ~60 mA

Quiescent Draw ~15 mA (sleep current)

CAN Speed High speed

Temperature Range -40°C to 80°C

Dimensions 3" L x 2" W x 1" H