

Intelligent Switch Module

INTERMOTIVE

VEHICLE CONTROLS

An ISO 9001:2015 Registered Company

Intelligent Switch Module

Configurable Steering Wheel Buttons

Overview

- Allows for custom programming of the AUX or radio buttons on the steering wheel
- Increases the functionality of the vehicle
- Simple plug and play connections

Features

- Configurable for multiple functions as latching, momentary, radio or timed
- Can be used to activate lights, sirens, spotlights and push-to-talk radio
- Also activates installed features such as Surveillance Mode, Blackout Mode and other InterMotive products

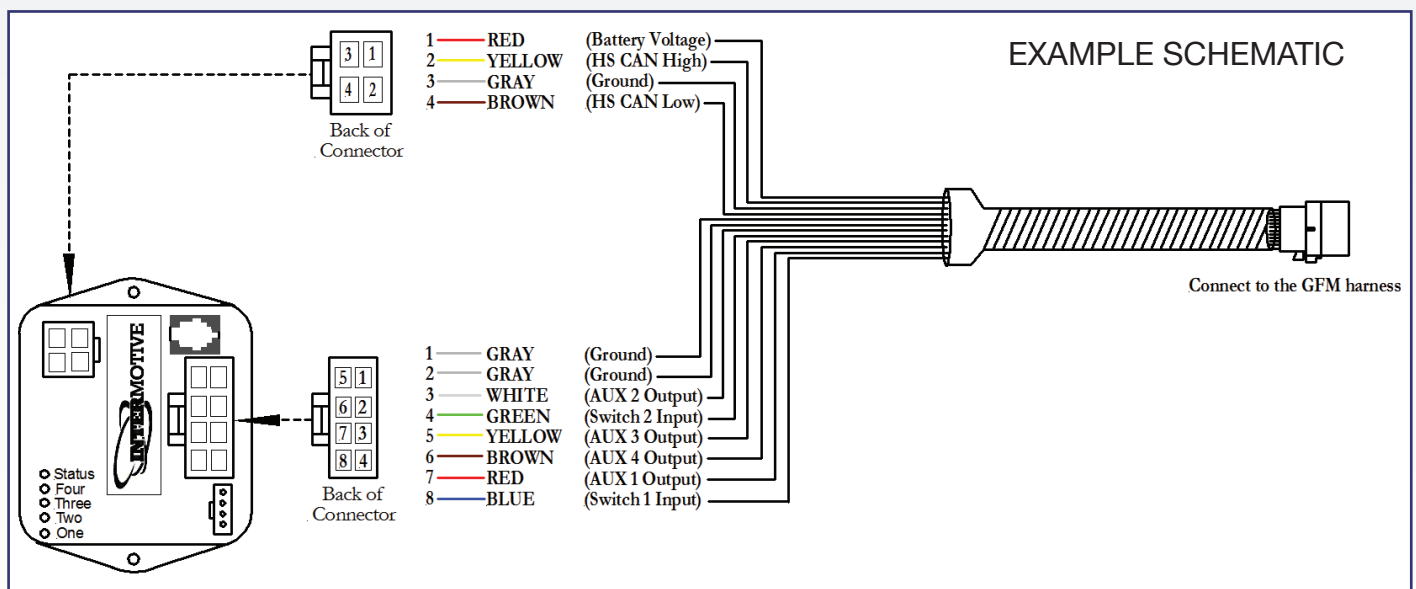
Product features may vary by make, model or year. See instructions for complete details.

Proudly distributed by

LGS GROUP
AUTOMOTIVE TECHNOLOGIES

(775) 831-2002

Details



SPECIFICATIONS

Number of Outputs Four outputs (two power or ground and two ground)

Current Draw ~60 mA

Quiescent Draw ~15 mA (sleep current)

CAN Speed High speed

Temperature Range -40°C to 80°C

Dimensions 3" L x 2" W x 1" H