

EcoStar™

Idle Reduction System

Overview

- Automatically turns the engine off and on when specific conditions are met
- Configurable to custom conditions
- Helps meet anti-idling regulations
- Simple plug and play connection

Features

- **FUEL SAVINGS:** Cuts idling fuel consumption nearly in half; pays for itself in a short period of time
- **ECO-FRIENDLY:** Reduces carbon monoxide emissions and saves 19 lbs per gallon burned while idling
- Thermostat regulation option available to keep interior temperature comfortable for personnel or temperature-sensitive equipment

*Some features vary by chassis.
See instructions for complete details.*

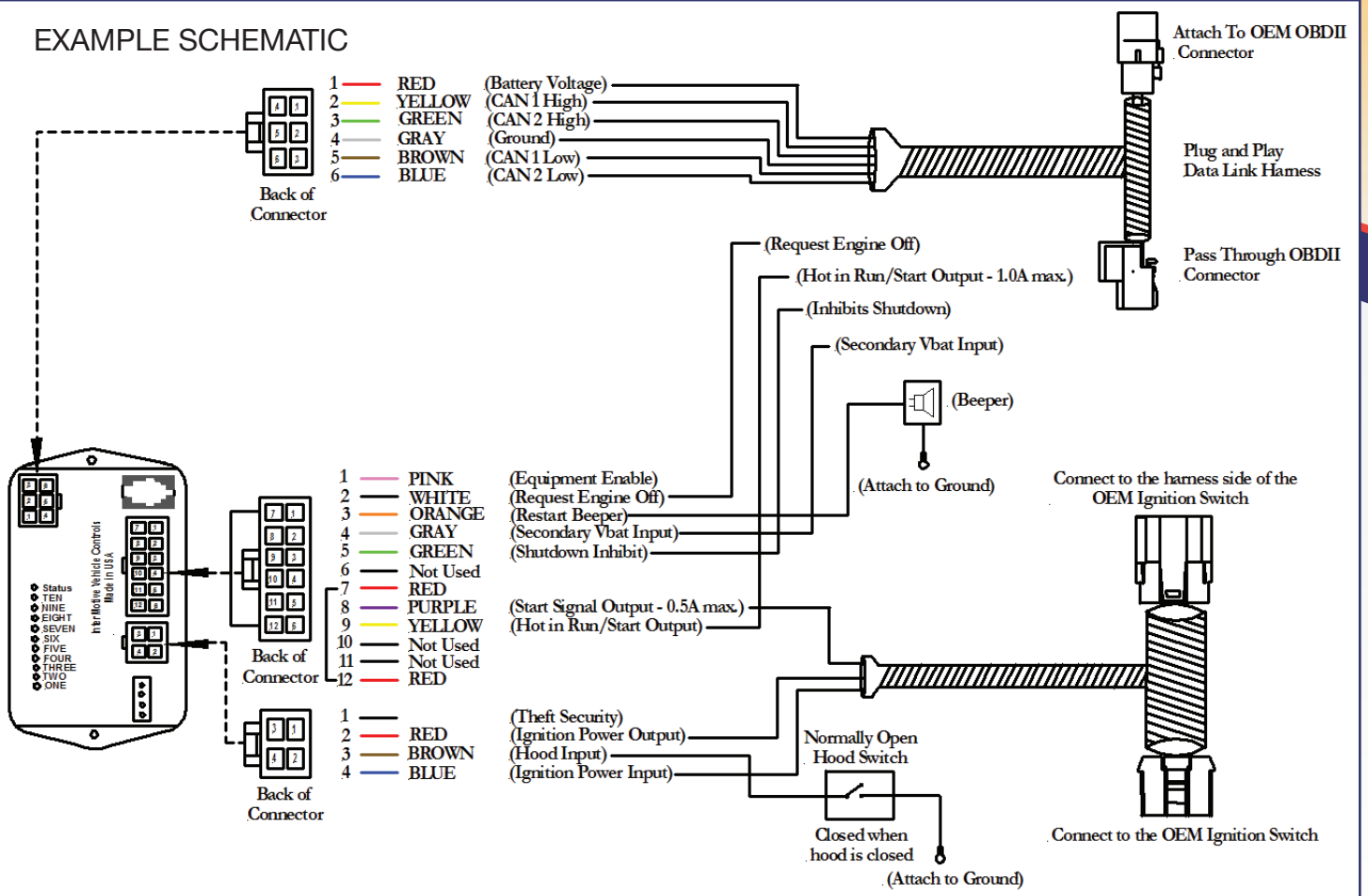
Proudly distributed by

LGS GROUP
AUTOMOTIVE TECHNOLOGIES

(775) 831-2002

Details

EXAMPLE SCHEMATIC



SPECIFICATIONS

Number of Inputs Four active low inputs, one analog input

Number of Outputs Two active high outputs

Current Draw 60-120 mA

Quiescent Draw < 2 mA (sleep current)

CAN Speed High speed and medium speed

Temperature Range -40°C to 80°C

Dimensions 4" L x 2" W x 1" H