

Engine Monitoring & Shutdown System

Automated Powertrain Protection

Overview

- Monitors specific powertrain conditions and initiates a warning and engine shutdown sequence if parameters are exceeded
- Once the vehicle is stopped, the ignition power and fuel pump are automatically disabled to prevent engine and transmission damage
- Reduces catastrophic powertrain failures, which could lead to expensive repairs
- Simple plug and play connection for CAN data

Features

- The system will not shut the engine off if the vehicle is in motion
- DUAL ALERTS: Audible and visual warnings with a dash-mounted LED panel
- Designed to work in conjunction with a fire suppression system
- HISTORICAL EVENT TRACKING: The system records the shutdown event and activation trigger, up to 10 events

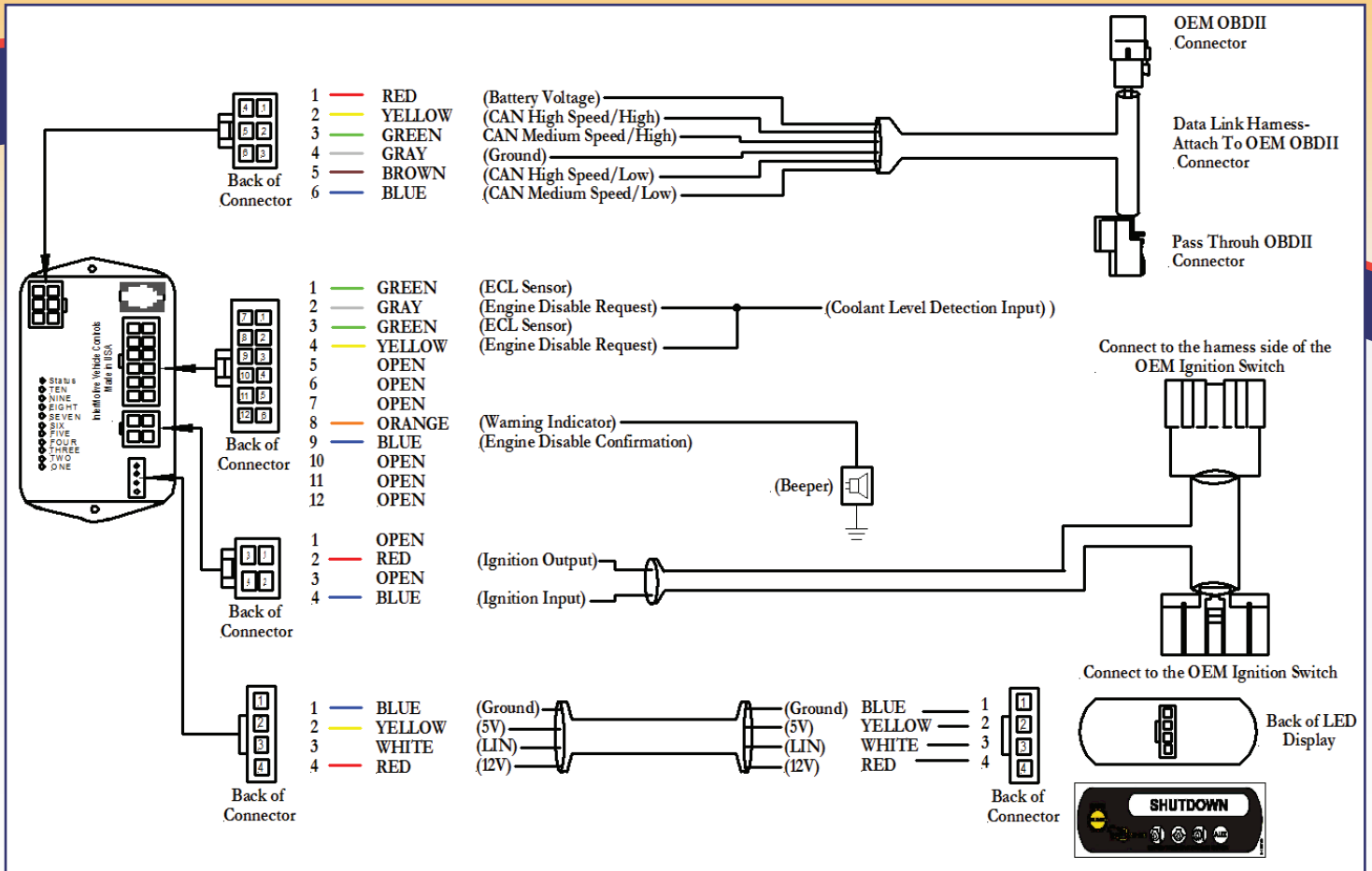


Proudly distributed by

LGS GROUP
AUTOMOTIVE TECHNOLOGIES

(775) 831-2002

Details



SPECIFICATIONS

Number of Inputs

Two engine disable request inputs (12V and ground) and one analog engine coolant level input

Number of Outputs

One engine disable confirmation (12V) and one warning indicator (12V)

Current Draw

60-120 mA

Quiescent Draw

~ 2 mA (sleep current)

CAN Speed

High and medium speed

Temperature Range

-40°C to 80°C

Dimensions

4" L x 2" W x 1" H